

Wooden furniture lock



A-601S-22
Ø18mm



A-601S-26
Ø18mm



A-601S-32
Ø18mm



A-601S-38
Ø18mm

A-701S-22
Ø16.5mm

DRAWER LOCK
(STANDARD VERSION)

Specifications

- STANDARD VERSION DRAWER LOCK
- AVAILABLE IN TWO DIAMETERS: 16.5mm & 18mm
- CLICK ACTION MECHANISM
- KEY REMOVABLE IN LOCKED & UNLOCKED POSITIONS
- ZINC ALLOY DIE CAST

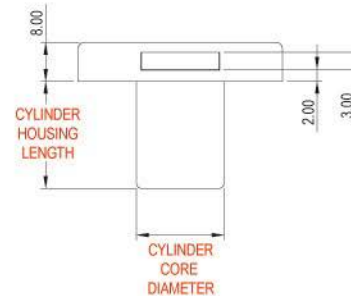
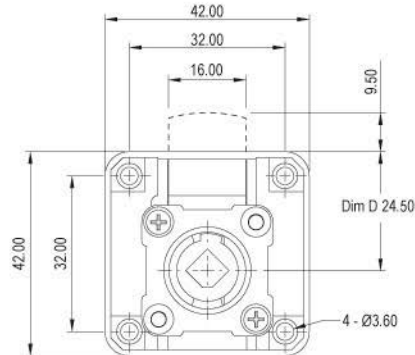
A set includes

- 1 LOCK HOUSING
- 1 CYLINDER CORE
- 2 KEYS
- 1 BEZEL

Accessories Options

- L-BRACKET
- STRIKE PLATE

Dimensions



Wooden furniture lock



A-601L-22
Ø18mm



A-601L-26
Ø18mm



A-601L-32
Ø18mm



A-601L-38
Ø18mm

A-701L-22
Ø16.5mm



DRAWER LOCK
(LEFT VERSION)

Specifications

- LEFT VERSION DRAWER LOCK
- AVAILABLE IN TWO DIAMETERS: 16.5mm & 18mm
- CLICK ACTION MECHANISM
- KEY REMOVABLE IN LOCKED & UNLOCKED POSITIONS
- ZINC ALLOY DIE CAST

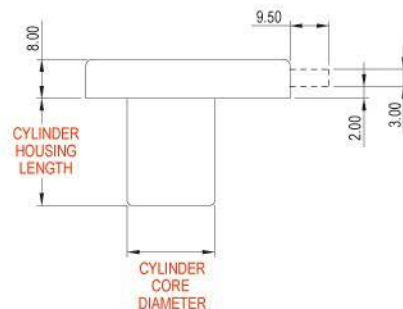
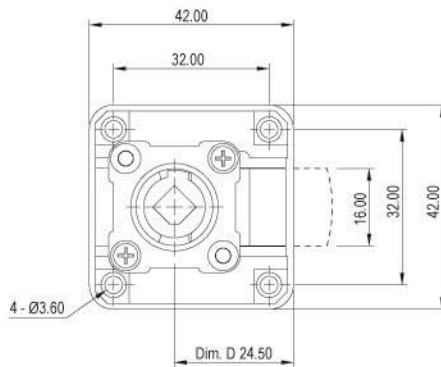
A set includes

- 1 LOCK HOUSING
- 1 CYLINDER CORE
- 2 KEYS
- 1 BEZEL

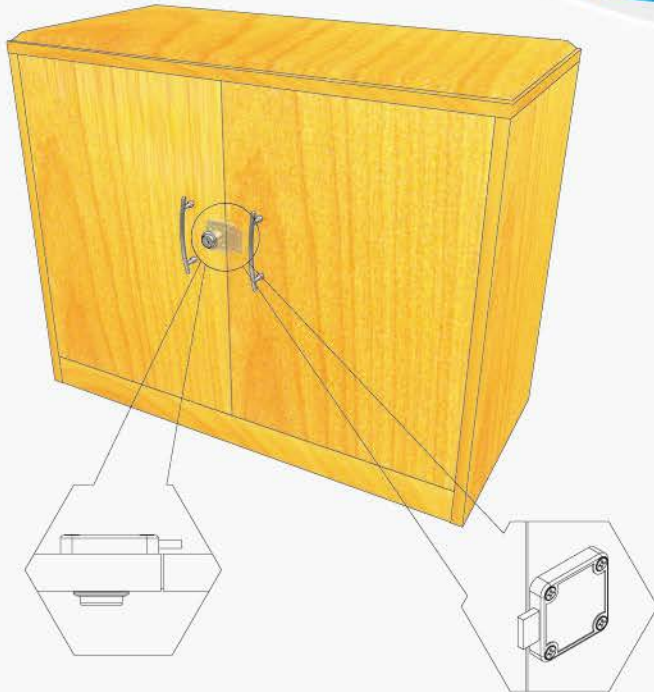
Accessories Options

- L-BRACKET
- STRIKE PLATE

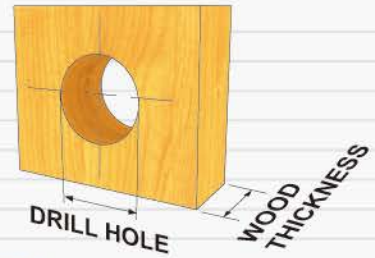
Dimensions



Finished



LEFT DRAWER LOCK



Drill hole

- Ø 17.5mm FOR 16.5mm HOUSING DIAMETER
- Ø 19mm FOR 18mm HOUSING DIAMETER

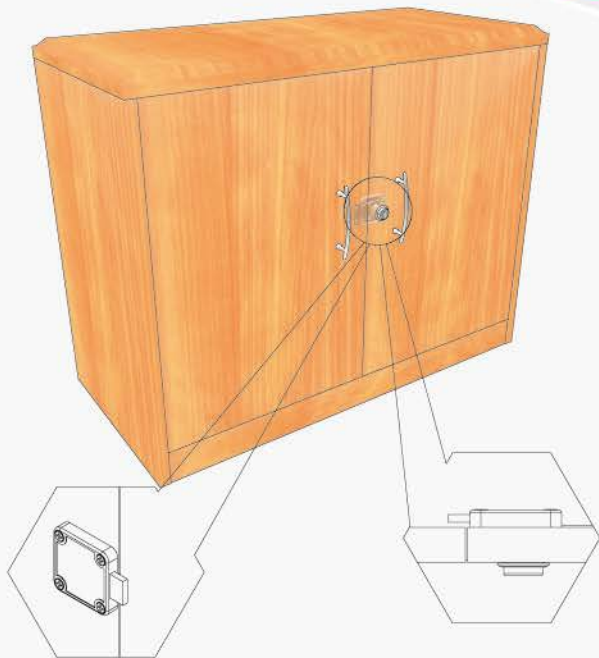
Wood Thickness

- 16-20mm - USE 22mm CYLINDER HOUSING LENGTH
- 20-24mm - USE 26mm CYLINDER HOUSING LENGTH
- 24-30mm - USE 32mm CYLINDER HOUSING LENGTH
- 30-36mm - USE 38mm CYLINDER HOUSING LENGTH

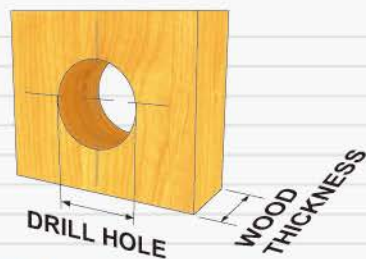
Fixing Details



Finished



RIGHT DRAWER LOCK



Drill hole

Ø 17.5mm FOR 16.5mm HOUSING DIAMETER

Ø 19mm FOR 18mm HOUSING DIAMETER

Wood Thickness

16-20mm - USE 22mm CYLINDER HOUSING LENGTH

20-24mm - USE 26mm CYLINDER HOUSING LENGTH

24-30mm - USE 32mm CYLINDER HOUSING LENGTH

30-36mm - USE 38mm CYLINDER HOUSING LENGTH

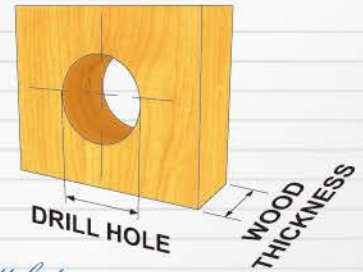
Fixing Details



Finished



DRAWER LOCK



Drill hole

Ø17.5mm FOR 16.5mm HOUSING DIAMETER

Ø19mm FOR 18mm HOUSING DIAMETER

Wood Thickness

16-20mm - USE 22mm CYLINDER HOUSING LENGTH

20-24mm - USE 26mm CYLINDER HOUSING LENGTH

24-30mm - USE 32mm CYLINDER HOUSING LENGTH

30-36mm - USE 38mm CYLINDER HOUSING LENGTH

Fixing Details

