

Wooden furniture lock



A-603H-22
Ø18mm

A-703H-22
Ø16.5mm

FRONT CENTRAL LOCK
(HORIZONTAL VERSION)

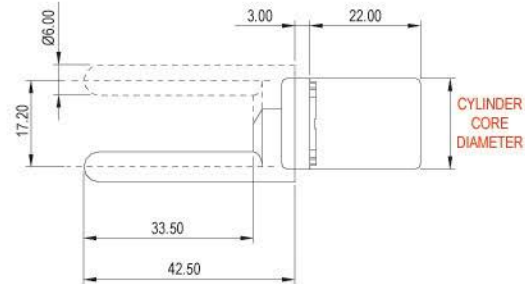
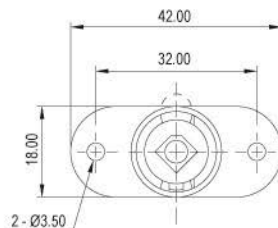
Specifications

- HORIZONTAL VERSION FRONT CENTRAL LOCK
- CABINET FRONT INSTALLATION
- AVAILABLE IN TWO DIAMETERS: 16.5mm & 18mm
- CLICK ACTION MECHANISM
- KEY REMOVABLE IN LOCKED & UNLOCKED POSITIONS
- WITH ALUMINUM BAR
- 180° ROTARY LIFTING PIN MOVEMENT
- ZINC ALLOY DIE CAST

A set includes

- 1 LOCK HOUSING
- 1 CYLINDER CORE
- 2 KEYS
- 1 BEZEL
- 3 LOCKING BOLTS
- 3 SCREWS
- 2 BAR GUIDES

Dimensions



Wooden furniture lock



A-603V-22
Ø18mm

A-703V-22
Ø16.5mm

Front Central Lock
(VERTICAL VERSION)

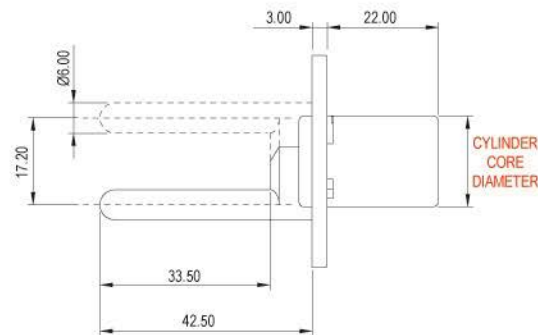
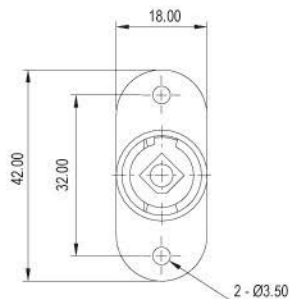
Specifications

- VERTICAL VERSION FRONT CENTRAL LOCK
- CABINET FRONT INSTALLATION
- AVAILABLE IN TWO DIAMETERS: 16.5mm & 18mm
- CLICK ACTION MECHANISM
- KEY REMOVABLE IN LOCKED & UNLOCKED POSITIONS
- WITH ALUMINUM BAR
- 180° ROTARY LIFTING PIN MOVEMENT
- ZINC ALLOY DIE CAST

A set includes

- 1 LOCK HOUSING
- 3 LOCKING BOLTS
- 1 CYLINDER CORE
- 3 SCREWS
- 2 KEYS
- 2 BAR GUIDES
- 1 BEZEL

Dimensions



Wooden furniture lock



A-603A-22
Ø18mm

A-703A-22
Ø16.5mm

FRONT CENTRAL LOCK
(SINGLE FLANGE VERSION)

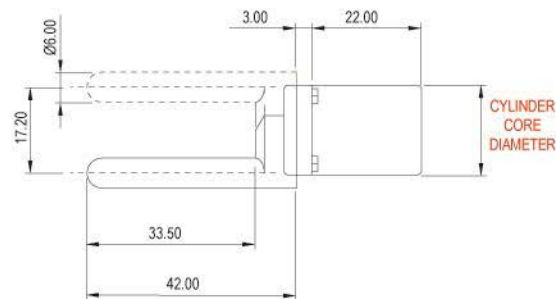
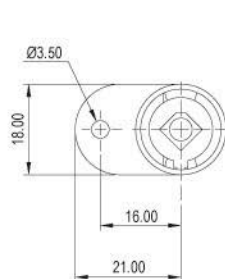
Specifications

- SINGLE FLANGE VERSION FRONT CENTRAL LOCK
- CABINET FRONT INSTALLATION
- AVAILABLE IN TWO DIAMETERS: 16.5mm & 18mm
- CLICK ACTION MECHANISM
- KEY REMOVABLE IN LOCKED & UNLOCKED POSITIONS
- WITH ALUMINUM BAR
- 180° ROTARY LIFTING PIN MOVEMENT
- ZINC ALLOY DIE CAST

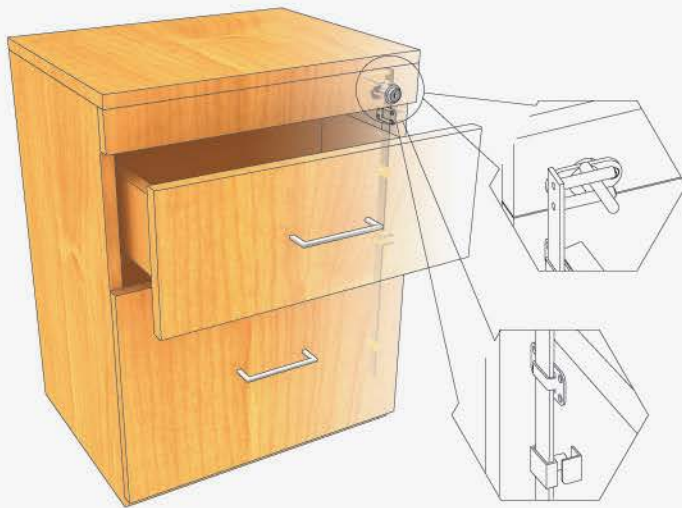
A set includes

- 1 LOCK HOUSING
- 1 CYLINDER CORE
- 2 KEYS
- 1 BEZEL
- 3 LOCKING BOLTS
- 3 SCREWS
- 2 BAR GUIDES

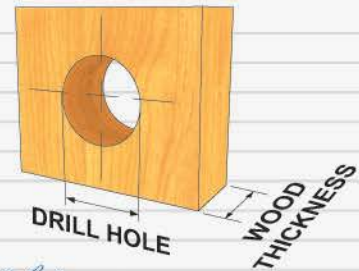
Dimensions



Finished



FRONT CENTRAL LOCK



Drill hole

Ø 17.5mm FOR 16.5mm HOUSING DIAMETER

Ø 19mm FOR 18mm HOUSING DIAMETER

Wood Thickness

16-20mm - USE 22mm CYLINDER HOUSING LENGTH

Fixing Details

