

Wooden furniture locks



A-606-22
Ø18mm

FLAP LOCK

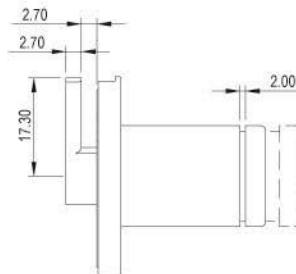
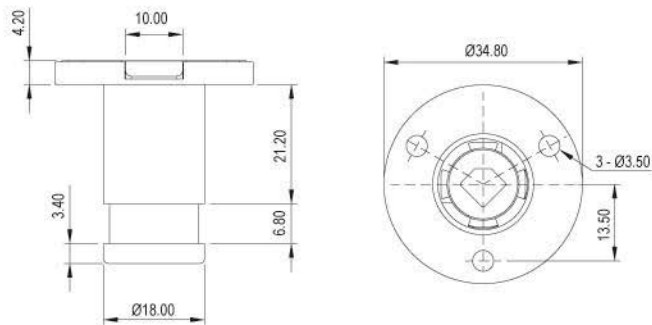
Specifications

- FLAP LOCK
- KEY REMOVABLE IN LOCKED & UNLOCKED POSITIONS
- ZINC ALLOY DIE CAST

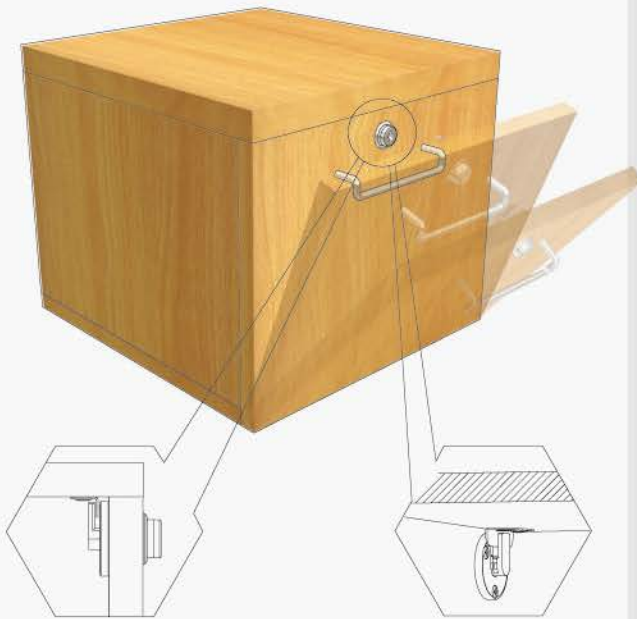
A set includes

- 1 LOCK HOUSING
- 1 CYLINDER CORE
- 2 KEYS
- 1 BEZEL
- 1 L-BRACKET

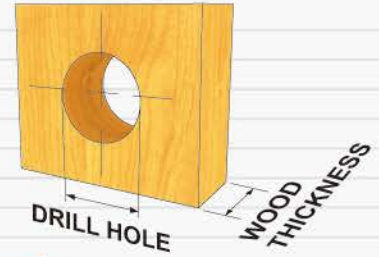
Dimensions



Finished



FLAP LOCK



Drill hole

Ø 19mm FOR 18mm HOUSING DIAMETER

Wood Thickness

16-20mm - USE 22mm CYLINDER HOUSING LENGTH

Fixing Details

