

Wooden furniture lock



A-607X-20

A-607X-25

A-607X-30

A-607X-36.5

A-607X-44.5



CAM LOCK

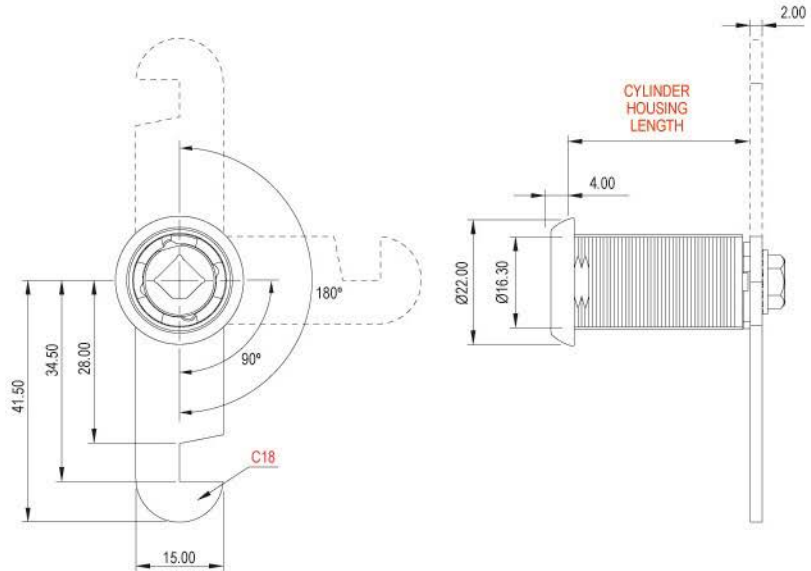
Specifications

- CAM LOCK
- 90° AND 180° ROTARY CAM MOVEMENT, CONVERTIBLE
- 20mm, 25mm, 30mm, 36.5mm, 44.5mm
CYLINDER HOUSING LENGTH AVAILABLE
- CLICK ACTION MECHANISM
- KEY REMOVABLE IN LOCKED & UNLOCKED POSITIONS
- ZINC ALLOY DIE CAST

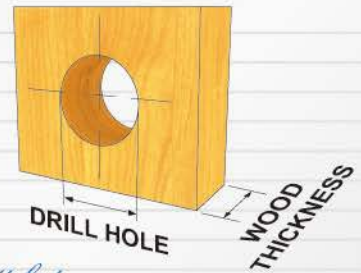
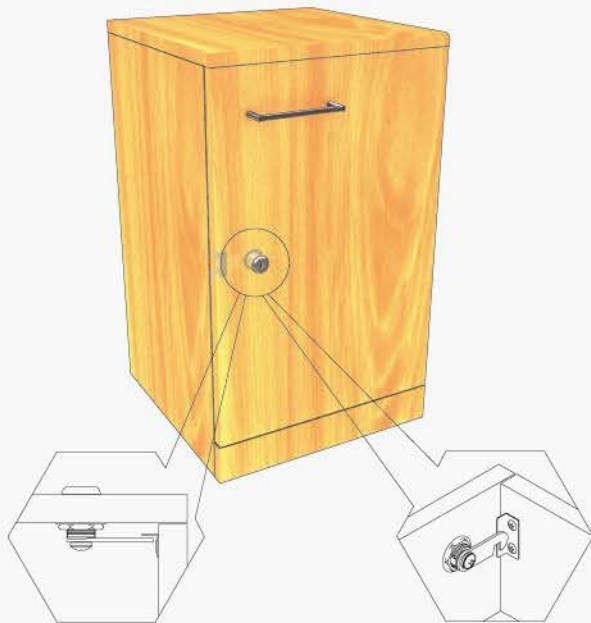
A set includes

- 1 LOCK HOUSING
- 1 CYLINDER CORE
- 2 KEYS
- 1 WASHER
- 1 HEXAGONAL NUT

Dimensions



Finished



Drill hole

Ø17.5mm FOR 16.5mm HOUSING DIAMETER
Ø19mm FOR 18mm HOUSING DIAMETER

Wood Thickness

6.5-9.0 mm - USE 20 mm CYLINDER HOUSING LENGTH
8.5-19.0mm - USE 25 mm CYLINDER HOUSING LENGTH
19.0-23.0mm - USE 30 mm CYLINDER HOUSING LENGTH
23.0-28.5mm - USE 36.5mm CYLINDER HOUSING LENGTH
28.5-36.5mm - USE 44.5mm CYLINDER HOUSING LENGTH

Fixing Details

