

Wooden furniture lock



A-608S-22
Ø18mm

A-608S-26
Ø18mm

A-608S-32
Ø18mm

A-608S-38
Ø18mm

A-708S-22
Ø16.5mm

CUPBOARD LOCK
(STANDARD VERSION)

Specifications

- STANDARD VERSION CUPBOARD LOCK
- AVAILABLE IN TWO DIAMETERS: 16.5mm & 18mm
- CLICK ACTION MECHANISM
- KEY REMOVABLE IN LOCKED & UNLOCKED POSITIONS
- ZINC ALLOY DIE CAST

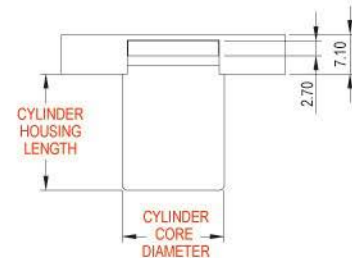
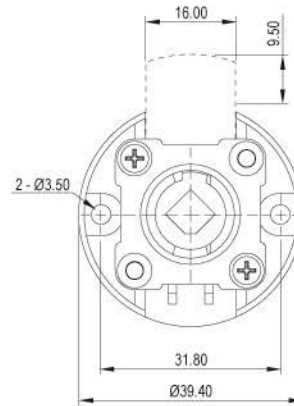
A set includes

- 1 LOCK HOUSING
- 1 CYLINDER CORE
- 2 KEYS
- 1 BEZEL

Accessories Options

- L-BRACKET
- STRIKE PLATE

Dimensions



Wooden furniture lock



A-608L-22
Ø18mm



A-608L-26
Ø18mm



A-608L-32
Ø18mm



A-608L-38
Ø18mm

A-708L-22
Ø16.5mm



CUPBOARD LOCK
(LEFT VERSION)

Specifications

- LEFT VERSION CUPBOARD LOCK
- AVAILABLE IN TWO DIAMETERS: 16.5mm & 18mm
- CLICK ACTION MECHANISM
- KEY REMOVABLE IN LOCKED & UNLOCKED POSITIONS
- ZINC ALLOY DIE CAST

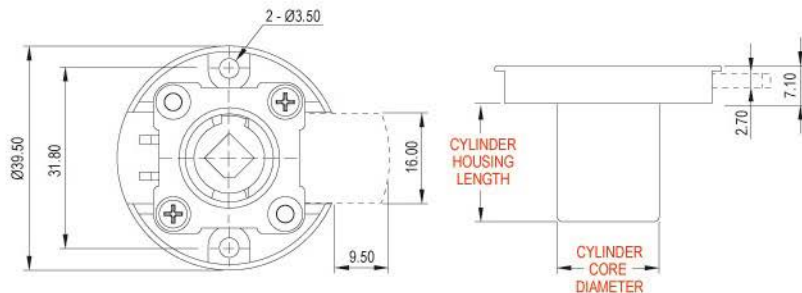
A set includes

- 1 LOCK HOUSING
- 1 CYLINDER CORE
- 2 KEYS
- 1 BEZEL

Accessories Options

- L-BRACKET
- STRIKE PLATE

Dimensions



Wooden furniture lock



A-608R-22
Ø18mm

A-608R-26
Ø18mm

A-608R-32
Ø18mm

A-608R-38
Ø18mm

A-708R-22
Ø16.5mm



CUPBOARD LOCK
(RIGHT VERSION)

Specifications

- RIGHT VERSION CUPBOARD LOCK
- AVAILABLE IN TWO DIAMETERS: 16.5mm & 18mm
- CLICK ACTION MECHANISM
- KEY REMOVABLE IN LOCKED & UNLOCKED POSITIONS
- ZINC ALLOY DIE CAST

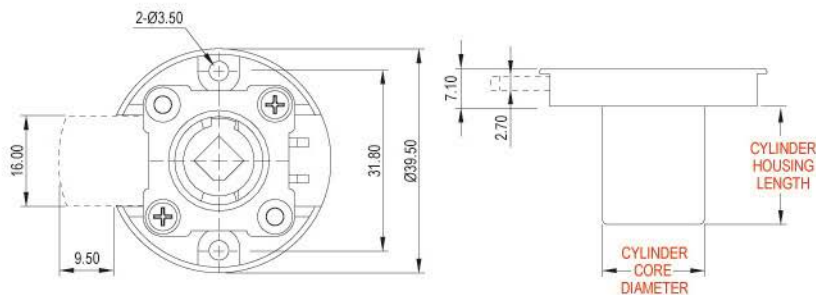
A set includes

- 1 LOCK HOUSING
- 1 CYLINDER CORE
- 2 KEYS
- 1 BEZEL

Accessories Options

- L-BRACKET
- STRIKE PLATE

Dimensions



Wooden furniture lock



A-608-22-G109
Ø18mm
A-708-22-G109
Ø16.5mm

A-608-26-G109
Ø18mm

A-608-32-G109
Ø18mm

A-608-38-G109
Ø18mm

CUPBOARD LOCK

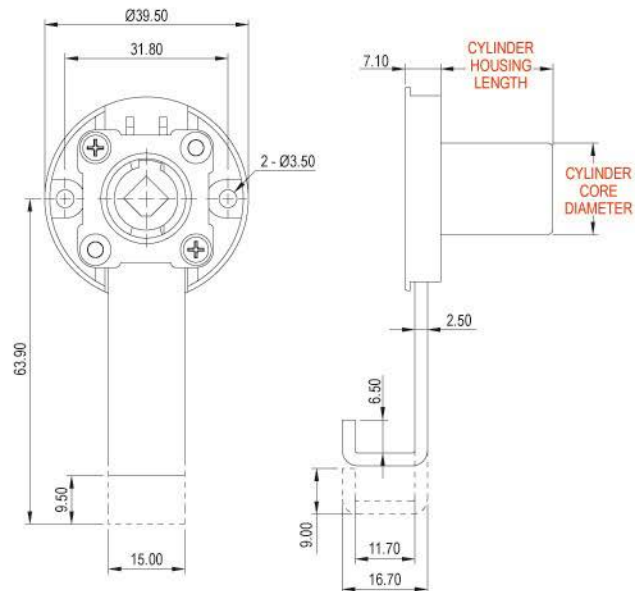
Specifications

- CUPBOARD LOCK
- AVAILABLE IN TWO DIAMETERS: 16.5mm & 18mm
- CLICK ACTION MECHANISM
- KEY REMOVABLE IN LOCKED & UNLOCKED POSITIONS
- ZINC ALLOY DIE CAST

A set includes

- 1 LOCK HOUSING
- 1 CYLINDER CORE
- 2 KEYS
- 1 BEZEL
- 1 CAM TYPE G109

Dimensions



Wooden furniture lock



A-608-22-G125
Ø18mm



A-608-26-G125
Ø18mm



A-608-32-G125
Ø18mm



A-608-38-G125
Ø18mm

A-708-22-G125
Ø16.5mm



Specifications

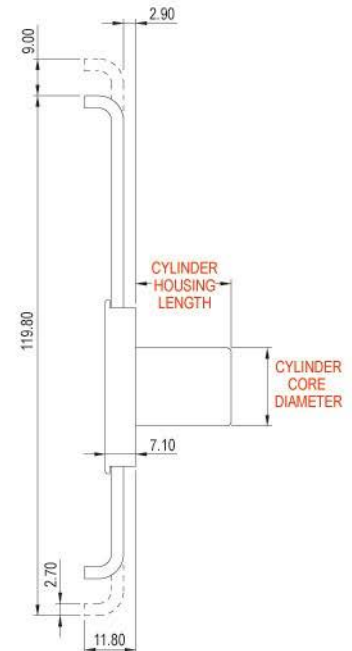
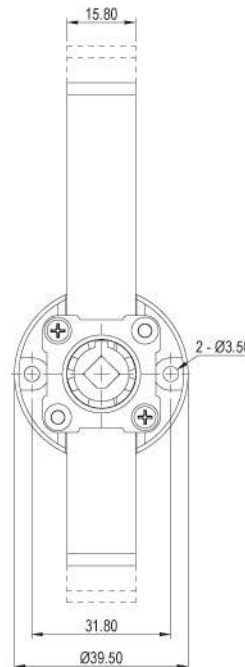
- CUPBOARD LOCK
- AVAILABLE IN TWO DIAMETERS: 16.5mm & 18mm
- CLICK ACTION MECHANISM
- KEY REMOVABLE IN LOCKED & UNLOCKED POSITIONS
- ZINC ALLOY DIE CAST

A set includes

- 1 LOCK HOUSING
- 1 CYLINDER CORE
- 2 KEYS
- 1 BEZEL
- 1 CAM TYPE G125

CUPBOARD LOCK

Dimensions



Wooden furniture lock



A-608S-22-G129
Ø18mm



A-608S-26-G129
Ø18mm



A-608S-32-G129
Ø18mm



A-608S-38-G129
Ø18mm



Specifications

- STANDARD VERSION CUPBOARD LOCK
- AVAILABLE IN TWO DIAMETERS: 16.5mm & 18mm
- CLICK ACTION MECHANISM
- KEY REMOVABLE IN LOCKED & UNLOCKED POSITIONS
- ZINC ALLOY DIE CAST

A set includes

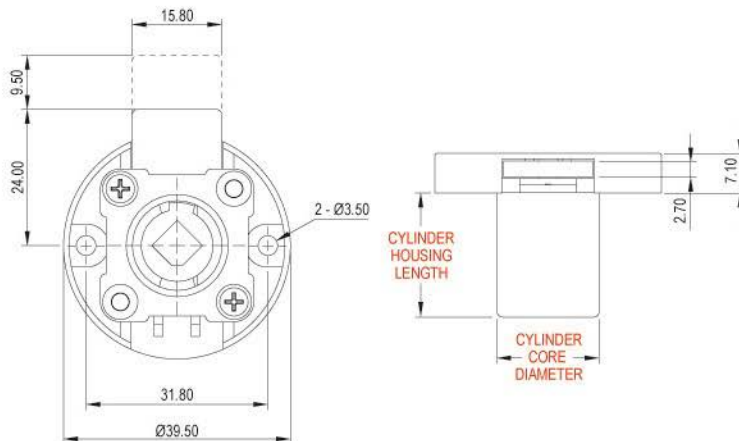
- 1 LOCK HOUSING
- 1 CYLINDER CORE
- 2 KEYS
- 1 BEZEL
- 1 CAM TYPE G129

Accessories Options

- L-BRACKET
- STRIKE PLATE

CUPBOARD LOCK
(STANDARD VERSION)

Dimensions



Wooden furniture lock



A-608L-22-G129
Ø18mm

A-608L-26-G129
Ø18mm

A-608L-32-G129
Ø18mm

A-608L-38-G129
Ø18mm

A-708L-22-G129
Ø16.5mm



CUPBOARD LOCK
(LEFT VERSION)

Specifications

- LEFT VERSION CUPBOARD LOCK
- AVAILABLE IN TWO DIAMETERS: 16.5mm & 18mm
- CLICK ACTION MECHANISM
- KEY REMOVABLE IN LOCKED & UNLOCKED POSITIONS
- ZINC ALLOY DIE CAST

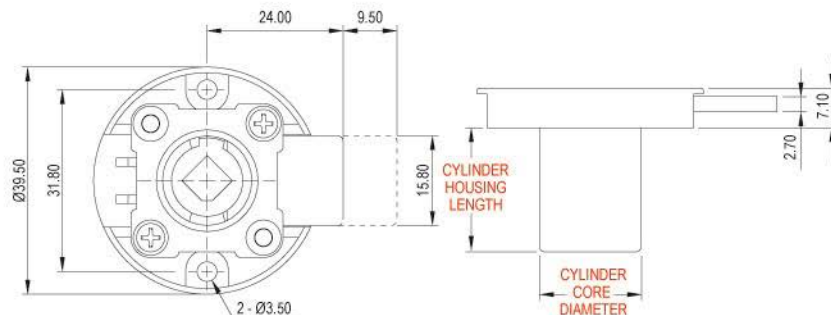
A set includes

- 1 LOCK HOUSING
- 1 CYLINDER CORE
- 2 KEYS
- 1 BEZEL
- 1 CAM TYPE G129

Accessories Options

- L-BRACKET
- STRIKE PLATE

Dimensions



Wooden furniture lock



A-608R-22-G129
Ø18mm

A-708R-22-G129
Ø16.5mm

A-608R-26-G129
Ø18mm

A-608R-32-G129
Ø18mm

A-608R-38-G129
Ø18mm



CUPBOARD LOCK
(RIGHT VERSION)

Specifications

- RIGHT VERSION CUPBOARD LOCK
- AVAILABLE IN TWO DIAMETERS: 16.5mm & 18mm
- CLICK ACTION MECHANISM
- KEY REMOVABLE IN LOCKED & UNLOCKED POSITIONS
- ZINC ALLOY DIE CAST

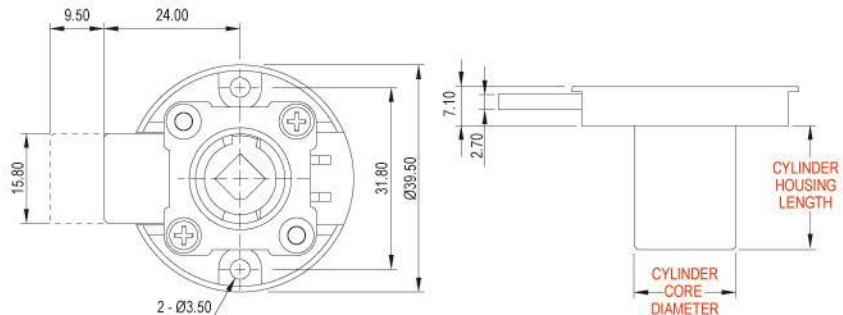
A set includes

- 1 LOCK HOUSING
- 1 CYLINDER CORE
- 2 KEYS
- 1 BEZEL
- 1 CAM TYPE G129

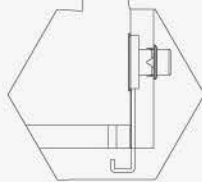
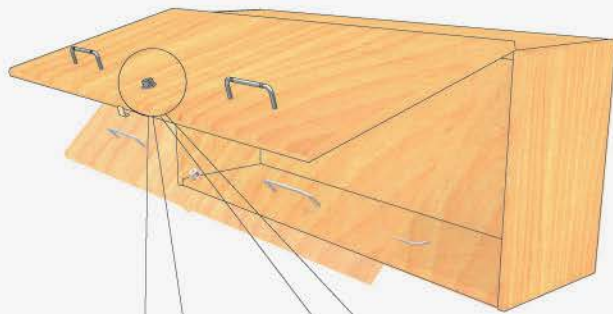
Accessories Options

- L-BRACKET
- STRIKE PLATE

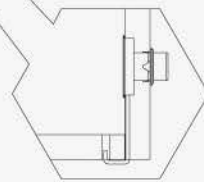
Dimensions



Finished

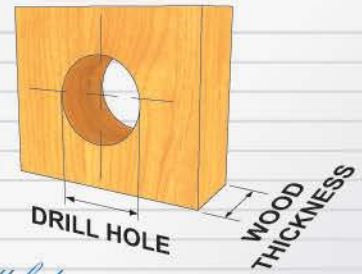


unlocked



locked

CUPBOARD LOCK



Drill hole

Ø17.5mm FOR 16.5mm HOUSING DIAMETER

Ø19mm FOR 18mm HOUSING DIAMETER

Wood Thickness

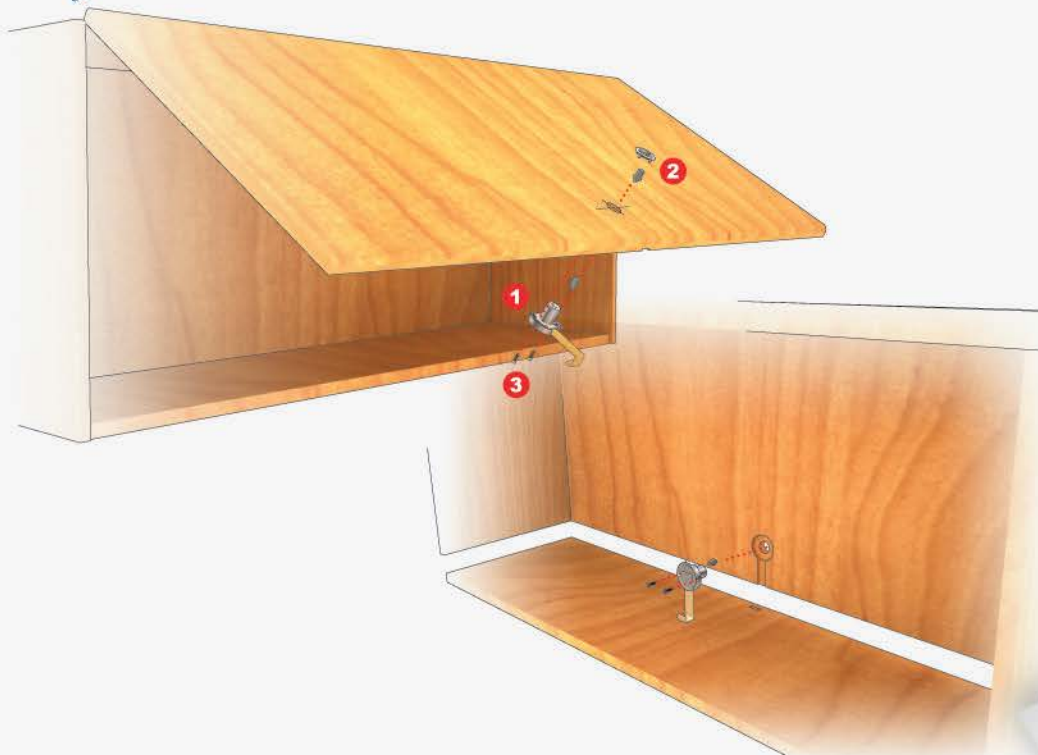
16-20mm - USE 22mm CYLINDER HOUSING LENGTH

20-24mm - USE 26mm CYLINDER HOUSING LENGTH

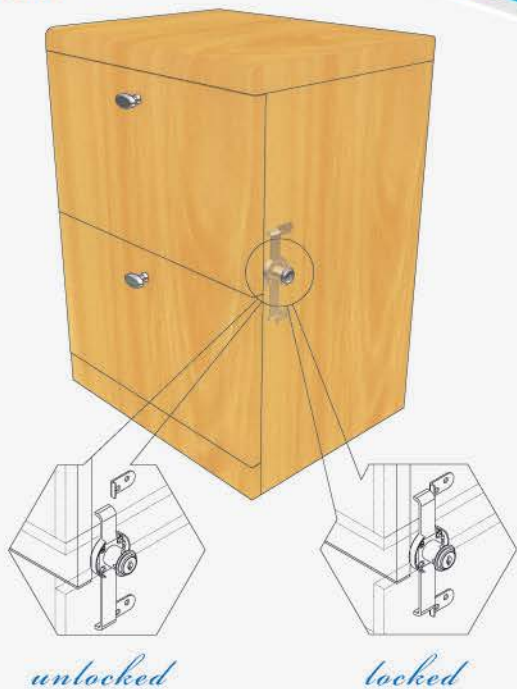
24-30mm - USE 32mm CYLINDER HOUSING LENGTH

30-36mm - USE 38mm CYLINDER HOUSING LENGTH

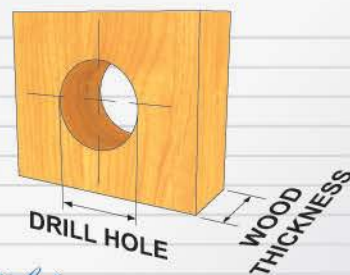
Fixing Details



Finished



CUPBOARD LOCK



Drill hole

Ø17.5mm FOR 16.5mm HOUSING DIAMETER

Ø19mm FOR 18mm HOUSING DIAMETER

Wood Thickness

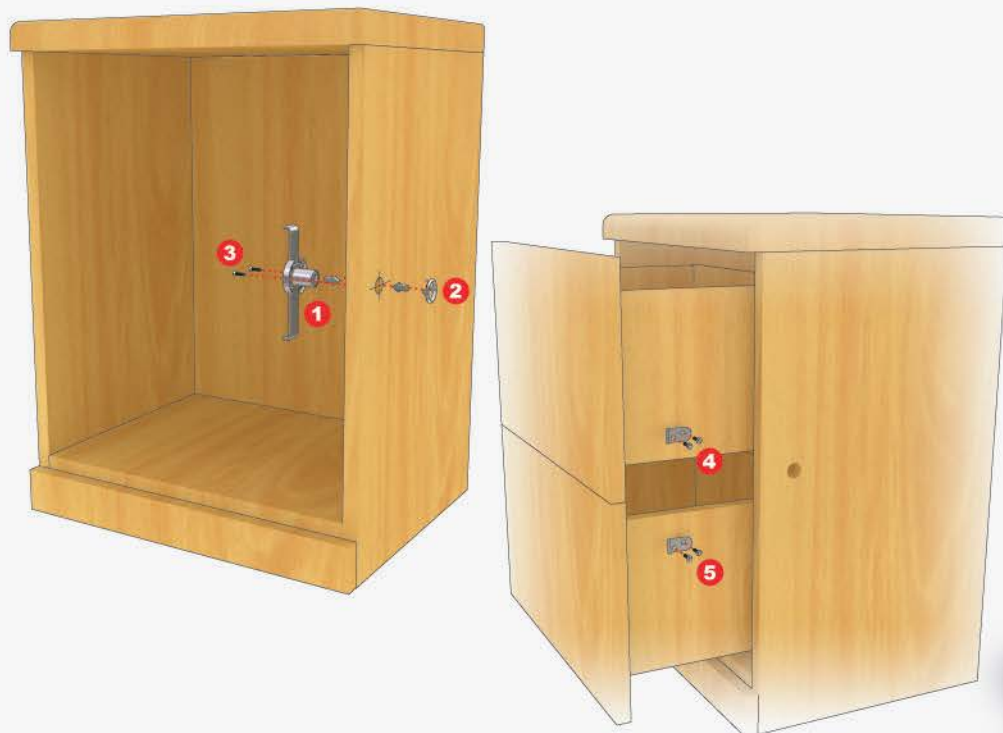
16-20mm - USE 22mm CYLINDER HOUSING LENGTH

20-24mm - USE 26mm CYLINDER HOUSING LENGTH

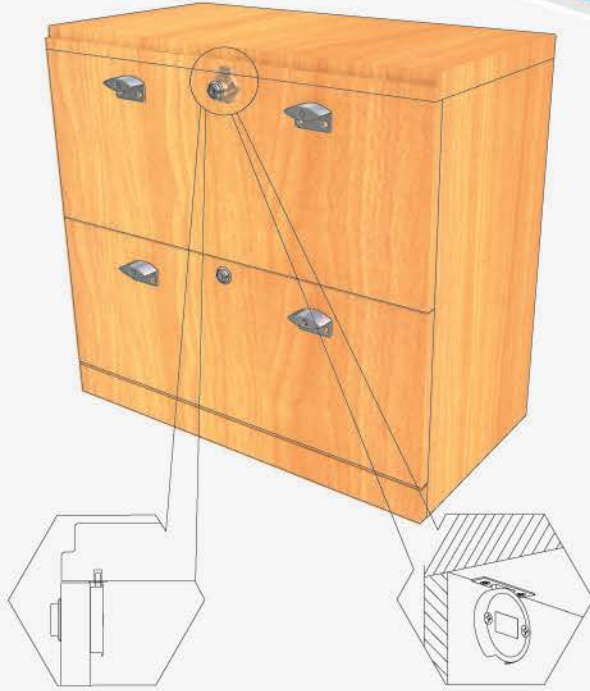
24-30mm - USE 32mm CYLINDER HOUSING LENGTH

30-36mm - USE 38mm CYLINDER HOUSING LENGTH

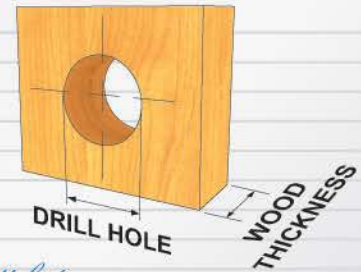
Fixing Details



Finished



CUPBOARD LOCK



Drill hole

Ø17.5mm FOR 16.5mm HOUSING DIAMETER

Ø19mm FOR 18mm HOUSING DIAMETER

Wood Thickness

16-20mm - USE 22mm CYLINDER HOUSING LENGTH

20-24mm - USE 26mm CYLINDER HOUSING LENGTH

24-30mm - USE 32mm CYLINDER HOUSING LENGTH

30-36mm - USE 38mm CYLINDER HOUSING LENGTH

Fixing Details

