

Wooden furniture lock



Specifications

- SHUTTER ROLLER CABINET LOCK
- 90° ROTARY CAM MOVEMENT, CONVERTIBLE
- AVAILABLE IN TWO DIAMETERS: 16.5mm & 18mm
- 22mm CYLINDER HOUSING LENGTH
- CLICK ACTION MECHANISM
- KEY REMOVABLE IN LOCKED & UNLOCKED POSITIONS
- ZINC ALLOY DIE CAST

A set includes

- 1 LOCK HOUSING
- 1 CYLINDER CORE
- 2 KEYS
- 1 BEZEL

Accessories Options

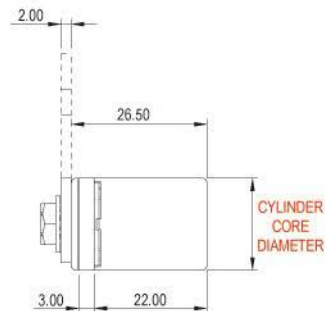
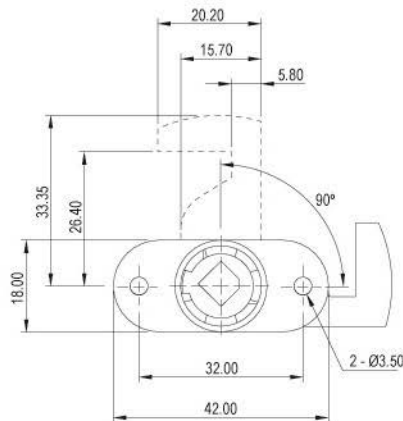
- L-BRACKET
- STRIKE PLATE



A-611-22-C46
Ø18mm
A-711-22-C46
Ø16.5mm

SHUTTER ROLLER CABINET LOCK

Dimensions



Wooden furniture lock



A-711B-22-C114
Ø16.5mm

A-711B-26-C114
Ø16.5mm

A-711B-32-C114
Ø16.5mm

SHUTTER ROLLER CABINET LOCK

Specifications

- SHUTTER ROLLER CABINET LOCK
- 90° ROTARY CAM MOVEMENT, CONVERTIBLE
- 22mm, 26mm, 32mm CYLINDER HOUSING LENGTH AVAILABLE
- CLICK ACTION MECHANISM
- KEY REMOVABLE IN LOCKED & UNLOCKED POSITIONS
- ZINC ALLOY DIE CAST

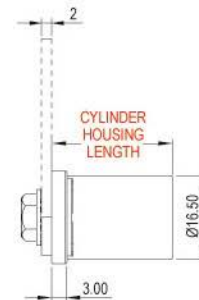
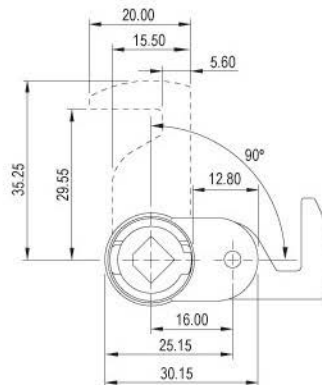
A set includes

- 1 LOCK HOUSING
- 1 CYLINDER CORE
- 2 KEYS
- 1 BEZEL

Accessories Options

- L-BRACKET
- STRIKE PLATE

Dimensions



Wooden furniture lock



A-711C-22-C114
Ø16.5mm



A-711C-26-C114
Ø16.5mm



A-711C-32-C114
Ø16.5mm



Specifications

- SHUTTER ROLLER CABINET LOCK
- 90° ROTARY CAM MOVEMENT, CONVERTIBLE
- 22mm, 26mm, 32mm CYLINDER HOUSING LENGTH AVAILABLE
- CLICK ACTION MECHANISM
- KEY REMOVABLE IN LOCKED & UNLOCKED POSITIONS
- ZINC ALLOY DIE CAST

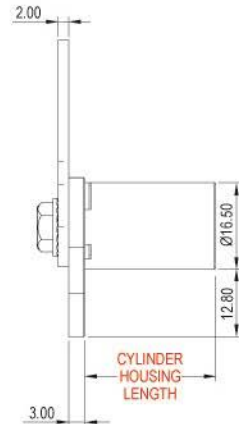
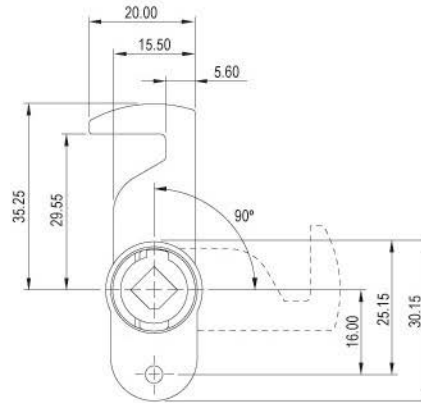
A set includes

- 1 LOCK HOUSING
- 1 CYLINDER CORE
- 2 KEYS
- 1 BEZEL

Accessories Options

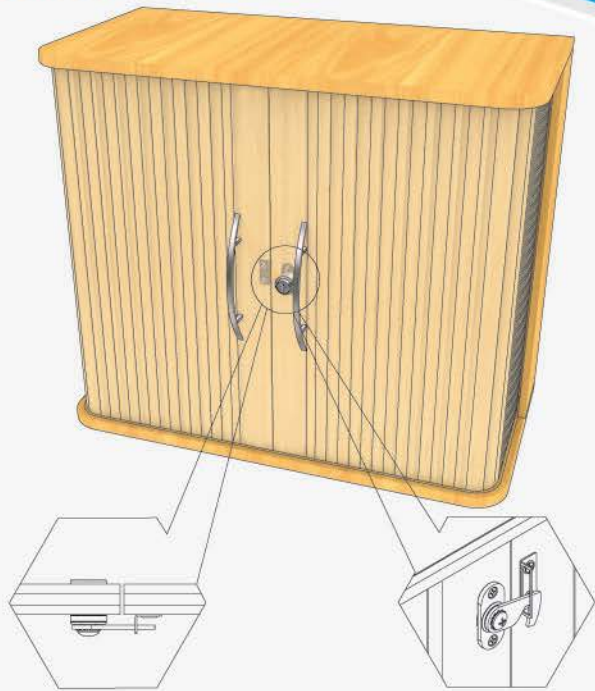
- L-BRACKET
- STRIKE PLATE

Dimensions

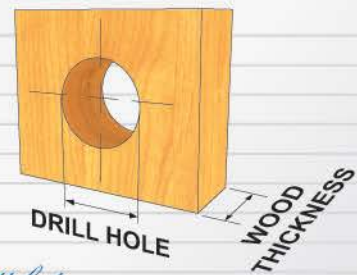


SHUTTER ROLLER CABINET LOCK

Finished



SHUTTER ROLLER CABINET



Drill hole

Ø17.5mm FOR 16.5mm HOUSING DIAMETER

Ø19mm FOR 18mm HOUSING DIAMETER

Wood Thickness

16-20mm - USE 22mm CYLINDER HOUSING LENGTH

Fixing Details

