

Wooden furniture lock



A-614S-22
Ø18mm



A-614S-26
Ø18mm



A-614S-32
Ø18mm



A-614S-38
Ø18mm

A-714S-22
Ø16.5mm

RIM LOCK
(STANDARD VERSION)

Specifications

- STANDARD VERSION RIM LOCK WITH 10.5mm HOUSING BASE
- EXTRA THICKNESS OF BASE ALLOWS FOR LATCH HOLE TO BE LOCATED FURTHER INSIDE WOOD PANEL
- AVAILABLE IN TWO DIAMETERS: 16.5mm & 18mm
- CLICK ACTION MECHANISM
- KEY REMOVABLE IN LOCKED & UNLOCKED POSITIONS
- ZINC ALLOY DIE CAST

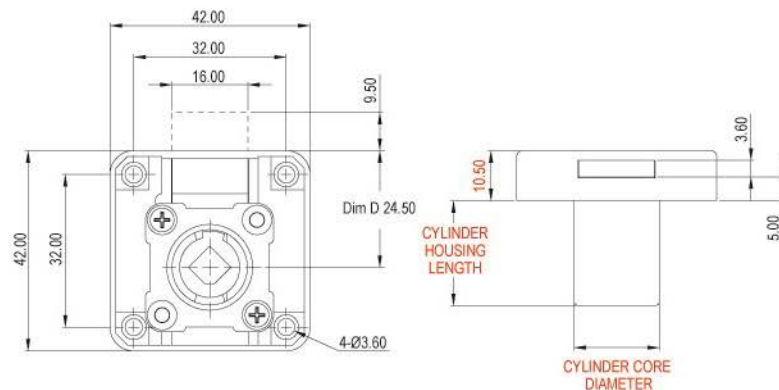
A set includes

- 1 LOCK HOUSING
- 1 CYLINDER CORE
- 2 KEYS
- 1 BEZEL

Accessories options

- L-BRACKET
- STRIKE PLATE

Dimensions



Wooden furniture lock



A-614L-22
Ø18mm



A-614L-26
Ø18mm



A-614L-32
Ø18mm



A-614L-38
Ø18mm

A-714L-22
Ø16.5mm

RIM LOCK
(LEFT VERSION)

Specifications

- LEFT VERSION RIM LOCK WITH 10.5mm HOUSING BASE
- EXTRA THICKNESS OF BASE ALLOWS FOR LATCH HOLE TO BE LOCATED FURTHER INSIDE WOOD PANEL
- AVAILABLE IN TWO DIAMETERS: 16.5mm & 18mm
- CLICK ACTION MECHANISM
- KEY REMOVABLE IN LOCKED & UNLOCKED POSITIONS
- ZINC ALLOY DIE CAST

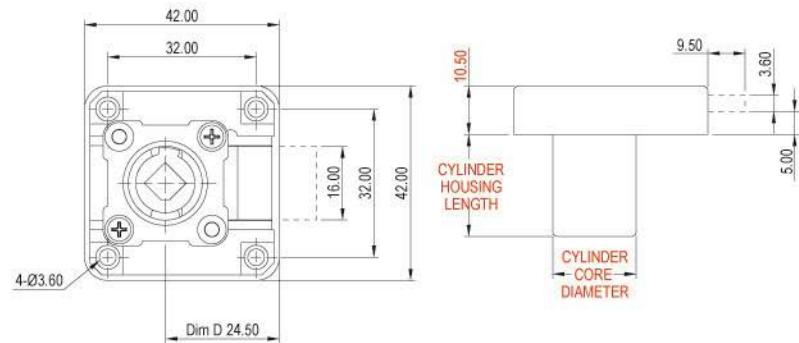
A set includes

- 1 LOCK HOUSING
- 1 CYLINDER CORE
- 2 KEYS
- 1 BEZEL

Accessories Options

- L-BRACKET
- STRIKE PLATE

Dimensions



Wooden furniture lock



A-614R-22
Ø18mm



A-614R-26
Ø18mm



A-614R-32
Ø18mm



A-614R-38
Ø18mm

A-714R-22
Ø16.5mm

RIM LOCK
(RIGHT VERSION)

Specifications

- RIGHT VERSION RIM LOCK WITH 10.5mm HOUSING BASE
- EXTRA THICKNESS OF BASE ALLOWS FOR LATCH HOLE TO BE LOCATED FURTHER INSIDE WOOD PANEL
- AVAILABLE IN TWO DIAMETERS: 16.5mm & 18mm
- CLICK ACTION MECHANISM
- KEY REMOVABLE IN LOCKED & UNLOCKED POSITIONS
- ZINC ALLOY DIE CAST

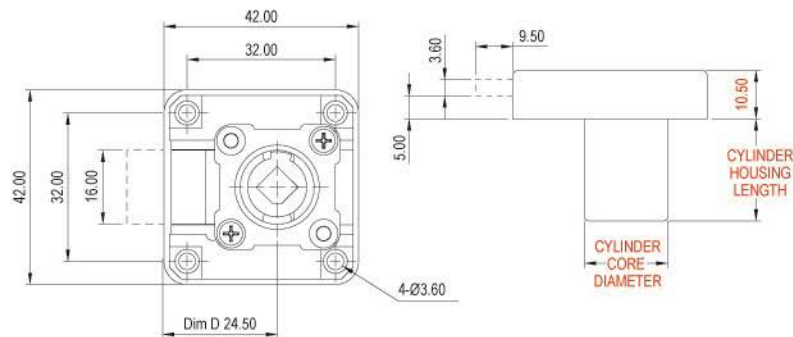
A set includes

- 1 LOCK HOUSING
- 1 CYLINDER CORE
- 2 KEYS
- 1 BEZEL

Accessories Options

- L-BRACKET
- STRIKE PLATE

Dimensions



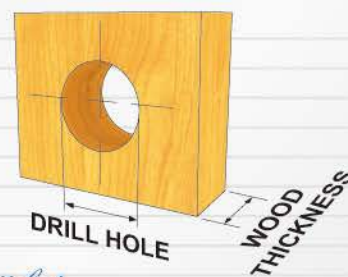
Wooden furniture lock

Finished



EXTRA THICKNESS OF BASE ALLOWS FOR LATCH HOLE TO BE LOCATED FURTHER INSIDE WOOD PANEL

RIM LOCK



Drill hole

Ø17.5mm FOR 16.5mm HOUSING DIAMETER

Ø19mm FOR 18mm HOUSING DIAMETER

Wood Thickness

16-20mm - USE 22mm CYLINDER HOUSING LENGTH

20-24mm - USE 26mm CYLINDER HOUSING LENGTH

24-30mm - USE 32mm CYLINDER HOUSING LENGTH

30-36mm - USE 38mm CYLINDER HOUSING LENGTH

Fixing Details

