

Wooden furniture lock



A-615-22-C18
Ø18mm

A-715-22-C18
Ø16.5mm

LEVER LOCK (EXTENDED)

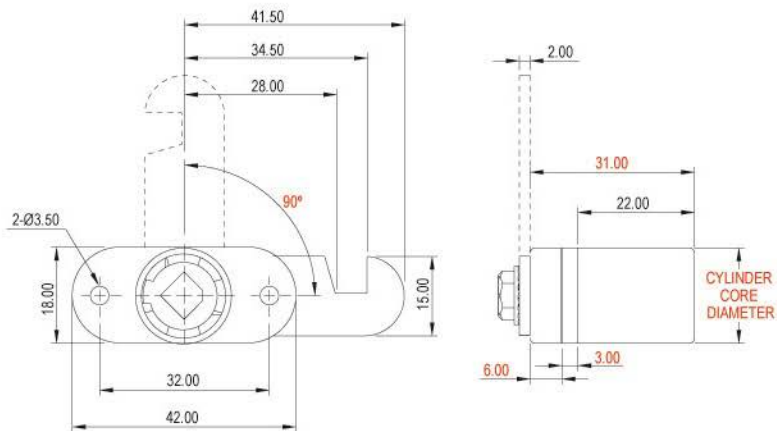
Specifications

- LEVER LOCK (EXTENDED)
- 90° ROTARY CAM MOVEMENT, CONVERTIBLE
- CLICK ACTION MECHANISM
- KEY REMOVABLE IN LOCKED & UNLOCKED POSITIONS
- ZINC ALLOY DIE CAST

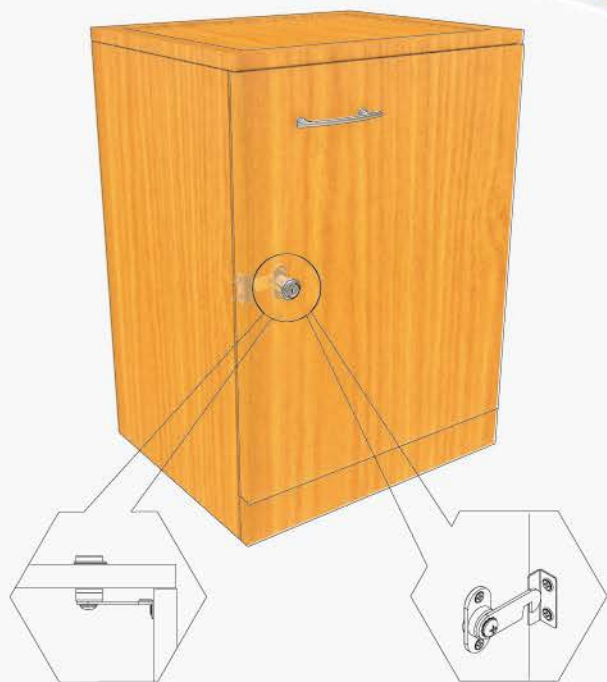
A set includes

- 1 LOCK HOUSING
- 1 CYLINDER CORE
- 2 KEYS
- 1 BEZEL

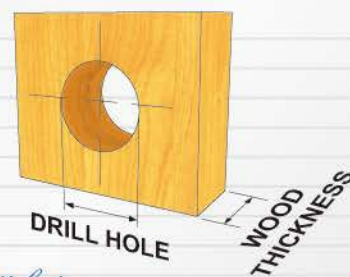
Dimensions



Finished



LEVER LOCK (EXTENDED)



Drill hole

Ø17.5mm FOR 16.5mm HOUSING DIAMETER

Ø19mm FOR 18mm HOUSING DIAMETER

Wood Thickness

16-20mm - USE 22mm CYLINDER HOUSING LENGTH

Fixing Details

