

Wooden furniture lock



A-617L-22+(ANTI-TILT)
Ø18mm

A-717L-22+(ANTI-TILT)
Ø16.5mm

ANTI-TILT LOCK
(LEFT VERSION)

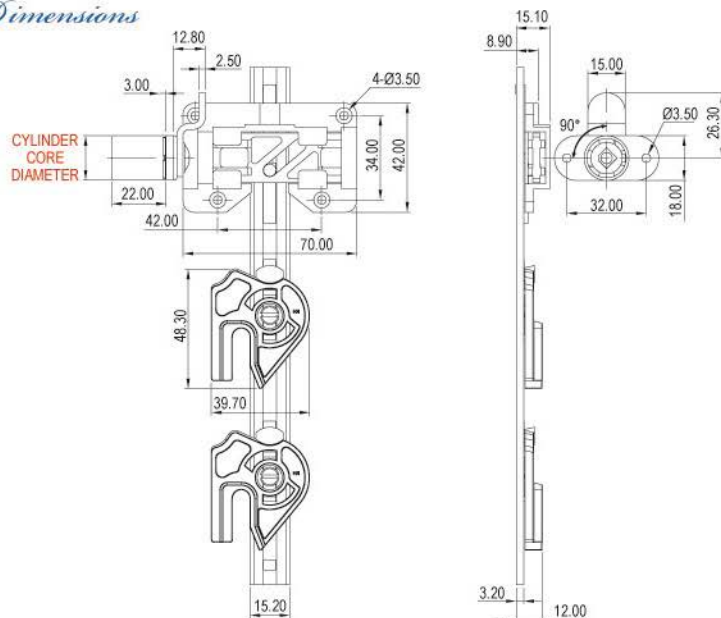
Specifications

- LEFT VERSION SINGLE SIDE ANTI-TILT LOCK
- AVAILABLE IN TWO DIAMETERS: 16.5mm & 18mm
- 90° ROTARY CAM MOVEMENT
- CLICK ACTION MECHANISM
- KEY REMOVABLE IN LOCKED & UNLOCKED POSITIONS
- ZINC ALLOY DIE CAST

A set includes

- 1 LOCK HOUSING
- 1 CYLINDER CORE
- 2 KEYS
- 1 BEZEL
- 1 BAR
- 1 SET OF ACCESSORIES

Dimensions



Wooden furniture lock



A-617R-22+(ANTI-TILT)
Ø18mm

A-717R-22+(ANTI-TILT)
Ø16.5mm

ANTI-TILT LOCK
(RIGHT VERSION)

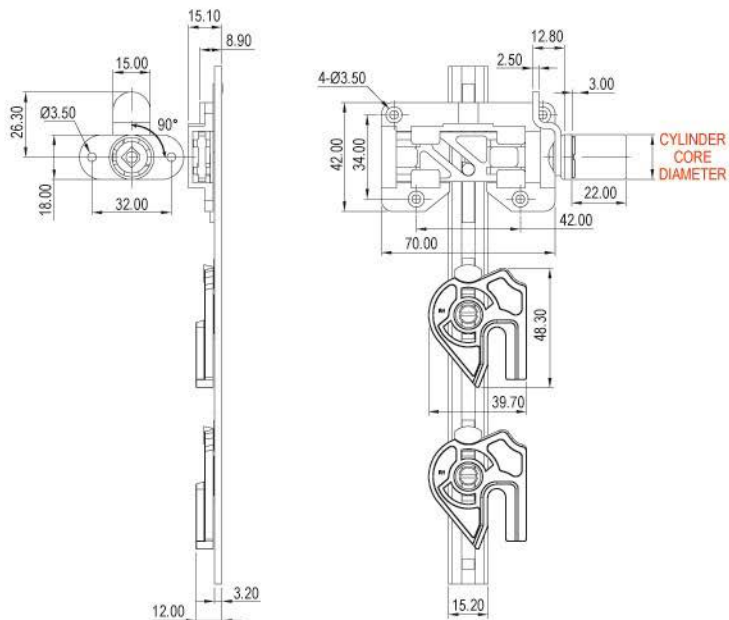
Specifications

- RIGHT VERSION SINGLE SIDE ANTI-TILT LOCK
- AVAILABLE IN TWO DIAMETERS: 16.5mm & 18mm
- 90° ROTARY CAM MOVEMENT
- CLICK ACTION MECHANISM
- KEY REMOVABLE IN LOCKED & UNLOCKED POSITIONS
- ZINC ALLOY DIE CAST

A set includes

- 1 LOCK HOUSING
- 1 CYLINDER CORE
- 2 KEYS
- 1 BEZEL
- 1 BAR
- 1 SET OF ACCESSORIES

Dimensions

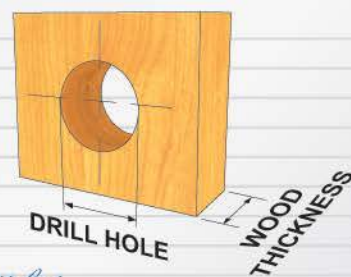


Wooden furniture lock

Finished



ANTI-TILT SYSTEM



Drill hole

Ø17.5mm FOR 16.5mm HOUSING DIAMETER

Ø19mm FOR 18mm HOUSING DIAMETER

Wood Thickness

16-20mm - USE 22mm CYLINDER HOUSING LENGTH

Fixing Details

