

Wooden furniture lock



A-618-22+(ANTI-TILT)
Ø18.0mm



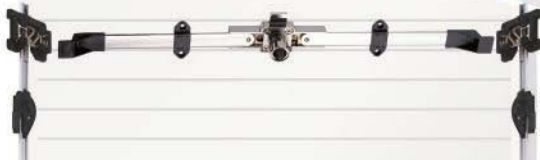
A-718-22+(ANTI-TILT)
Ø16.5mm



A-618-26+(ANTI-TILT)
Ø18.0mm

A-618-32+(ANTI-TILT)
Ø18.0mm

ANTI-TILT LOCK



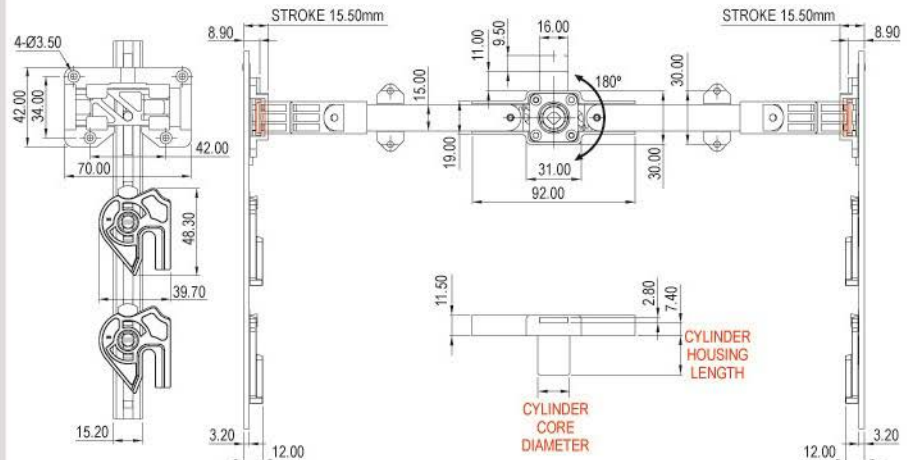
Specifications

- DOUBLE SIDE ANTI-TILT LOCK
- AVAILABLE IN TWO DIAMETERS: 16.5mm & 18mm
- CLICK ACTION MECHANISM
- KEY REMOVABLE IN LOCKED & UNLOCKED POSITIONS
- ZINC ALLOY DIE CAST

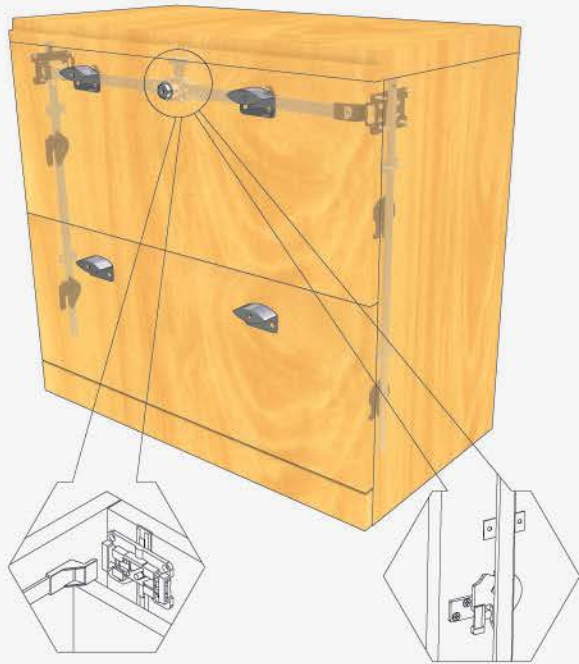
A set includes

- 1 LOCK HOUSING
- 1 CYLINDER CORE
- 2 KEYS
- 1 BEZEL
- 1 BAR
- 1 SET OF ACCESSORIES
- 1 L-BRACKET

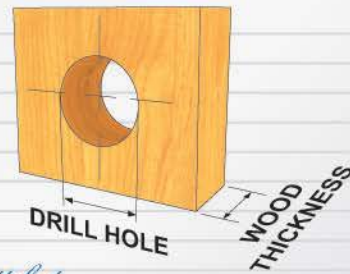
Dimensions



Finished



ANTI-TILT SYSTEM



Drill hole

Ø17.5mm FOR 16.5mm HOUSING DIAMETER

Ø19mm FOR 18mm HOUSING DIAMETER

Wood Thickness

16-20mm - USE 22mm CYLINDER HOUSING LENGTH

20-24mm - USE 26mm CYLINDER HOUSING LENGTH

24-30mm - USE 32mm CYLINDER HOUSING LENGTH

Fixing Details

