

# Wooden furniture lock



A-619-22-G128  
Ø18mm



PUSH & TURN LOCK

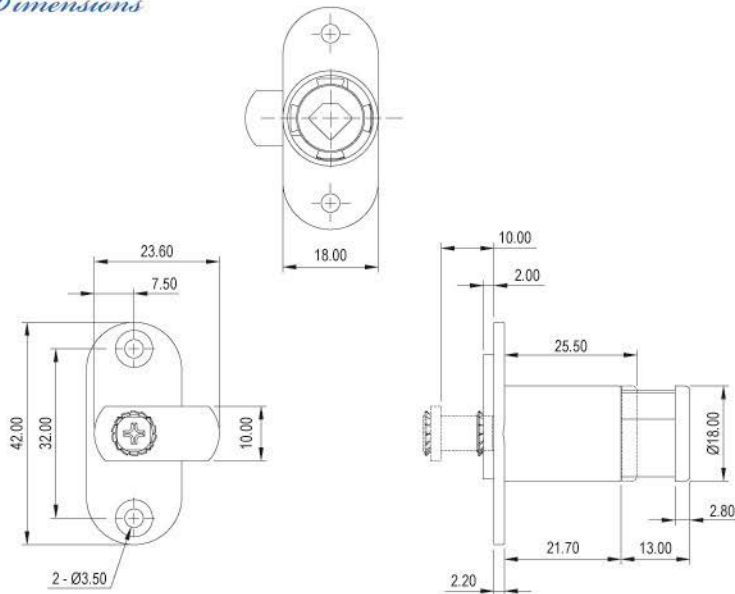
## Specifications

- PUSH & TURN LOCK
- OFFERS BETTER SECURITY THAN REGULAR PUSH LOCK AS ITS CAM HOOKS THE BACK OF DOOR PANEL TO PREVENT PRYING
- KEY REMOVABLE IN LOCKED & UNLOCKED POSITIONS
- ZINC ALLOY DIE CAST

## A set includes

- 1 LOCK HOUSING
- 1 CYLINDER CORE
- 2 KEYS
- 1 BEZEL
- 1 L-BRACKET

## Dimensions



# Wooden furniture lock



A-620-22  
Ø18mm



PUSH & TURN LOCK

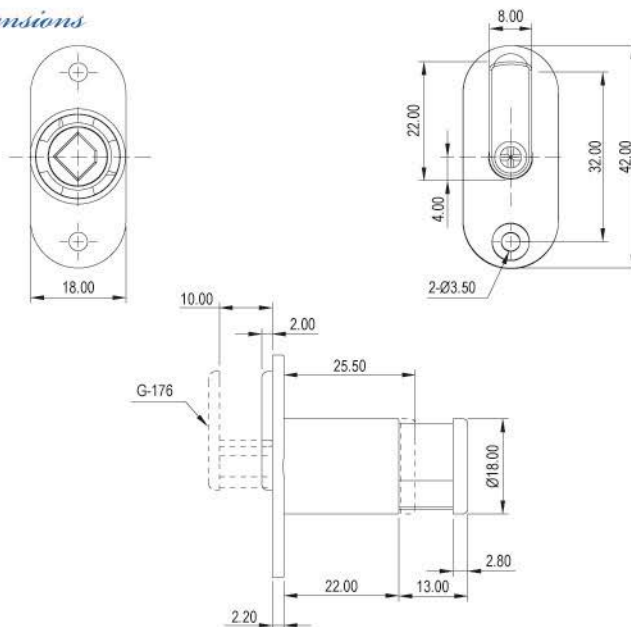
## Specifications

- PUSH & TURN LOCK
- OFFERS BETTER SECURITY THAN REGULAR PUSH LOCK AS ITS CAM HOOKS THE BACK OF DOOR PANEL TO PREVENT PRYING
- KEY REMOVABLE IN LOCKED & UNLOCKED POSITIONS
- ZINC ALLOY DIE CAST

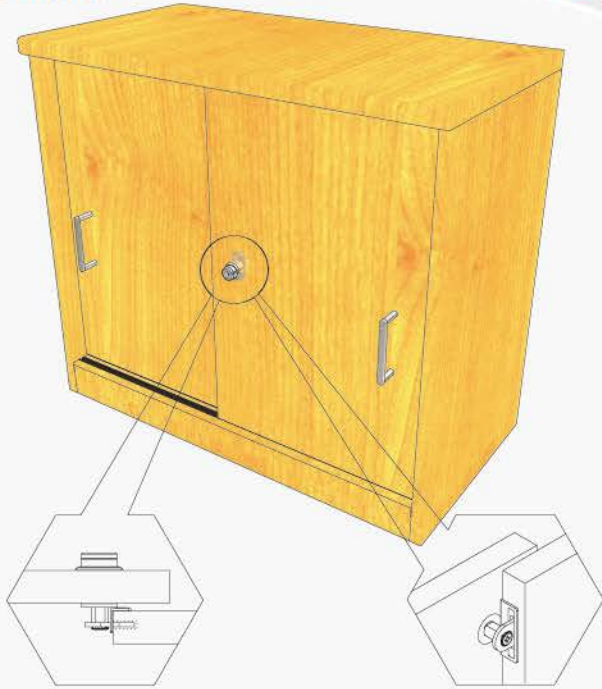
## A set includes

- 1 LOCK HOUSING
- 1 CYLINDER CORE
- 2 KEYS
- 1 BEZEL
- 1 L-BRACKET

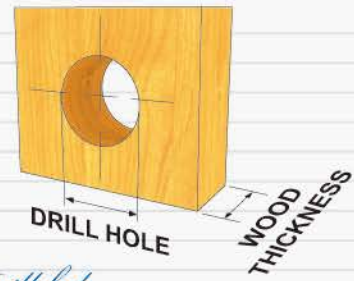
## Dimensions



## Finished



## PUSH AND TURN LOCK



### Drill hole

Ø 19mm FOR 18mm HOUSING DIAMETER

### Wood Thickness

16-20mm - USE 22mm CYLINDER HOUSING LENGTH

## Fixing Details

