

# Wooden furniture lock



A-627-22-ONE TURN  
Ø18mm



A-627-38-ONE TURN  
Ø18mm



LONG LATCH LOCK

## Specifications

- LONG LATCH LOCK
- ONLY 180° TURN IS NEEDED TO LOCK AND UNLOCK, NOT 360°  
SUITABLE FOR DRAWER CABINET, SINGLE AND DOUBLE-DOOR
- CABINET WITH CURVE EDGED DOOR PANELS
- CLICK ACTION MECHANISM
- KEY REMOVABLE IN LOCKED & UNLOCKED POSITIONS
- ZINC ALLOY DIE CAST

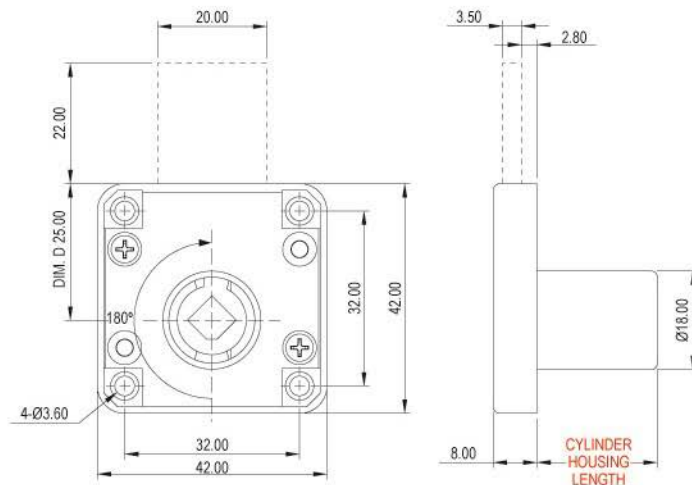
## A set includes

- 1 LOCK HOUSING
- 2 KEYS
- 1 CYLINDER CORE
- 1 BEZEL

## Accessories Options

- L-BRACKET
- STRIKE PLATE

## Dimensions



# Wooden furniture lock



A-627-22-TWO STEP  
Ø18mm



A-627-38-TWO STEP  
Ø18mm

**L**ONG LATCH LOCK

## Specifications

- LONG LATCH LOCK
- 90° TURN (STEP 1) IS NEEDED TO LOCK AND UNLOCK, NOT 360°
- 180° TURN (STEP 2) IS NEEDED TO LOCK AND UNLOCK, NOT 360°
- SUITABLE FOR DRAWER CABINET, SINGLE AND DOUBLE-DOOR
- CABINET WITH CURVE EDGED DOOR PANELS
- CLICK ACTION MECHANISM
- KEY REMOVABLE IN LOCKED & UNLOCKED POSITIONS
- ZINC ALLOY DIE CAST

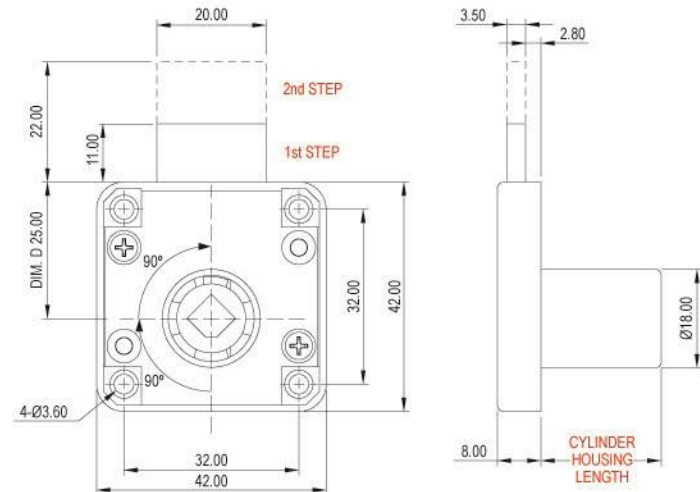
## A set includes

- 1 LOCK HOUSING
- 2 KEYS
- 1 CYLINDER CORE
- 1 BEZEL

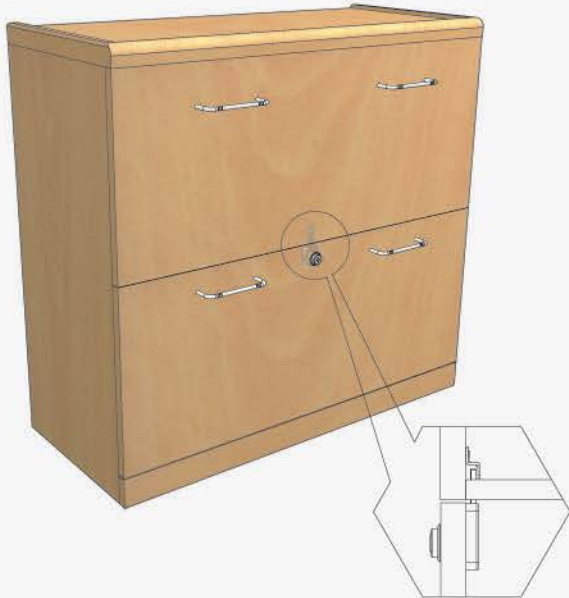
## Accessories Options

- L-BRACKET
- STRIKE PLATE

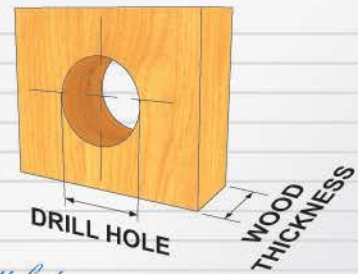
## Dimensions



*Finished*



## LONG LATCH LOCK



*Drill hole*

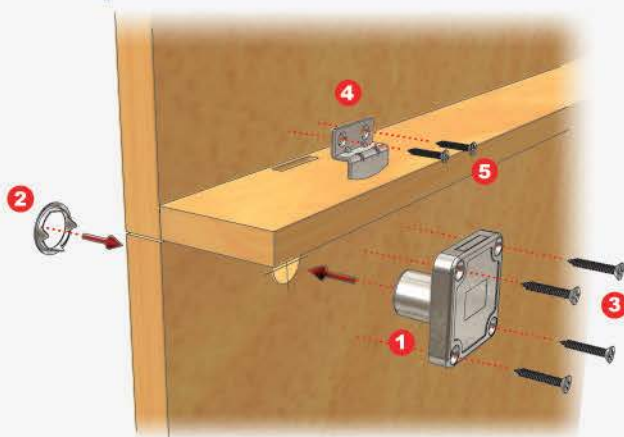
Ø19mm FOR 18mm HOUSING DIAMETER

*Wood Thickness*

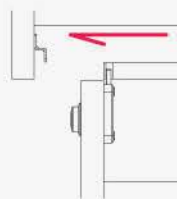
16-20mm - USE 22mm CYLINDER HOUSING LENGTH

30-36mm - USE 38mm CYLINDER HOUSING LENGTH

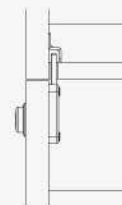
*Fixing Details*



### LOCKING OPERATION: A-627-22-TWO STEP

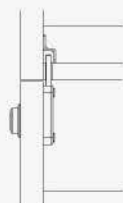


**STEP 1.** TURN 90° TO THE RIGHT IF YOU NEED TO LOCK ONLY THE BOTTOM DRAWER WHILE THE TOP IS IN UNLOCKED POSITION.



**STEP 2.** CONTINUE TURNING TO 180° TO LOCK ON BOTH DRAWERS.

### LOCKING OPERATION: A-627-22-ONE TURN



ONLY 180° TURN IS NEEDED TO LOCK AND UNLOCK ON BOTH DRAWERS.



DK198