

Wooden furniture locks



A-629-22
Ø18mm

SLAM LOCK

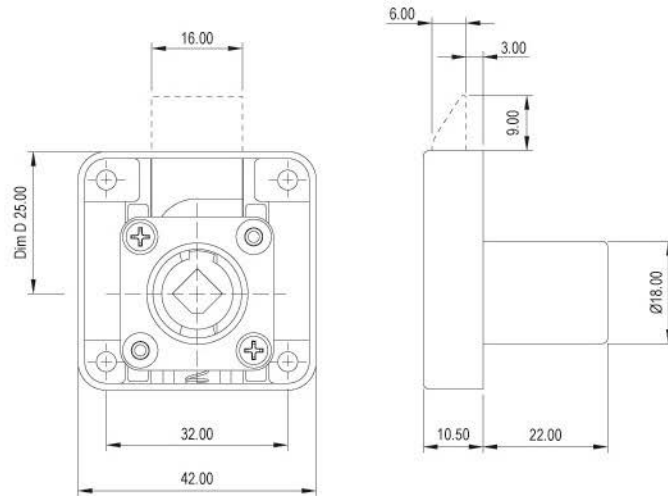
Specifications

- SLAM LOCK
- AUTOMATICALLY LOCKS DRAWER WHEN CLOSED
- ANTI-PICK BRACKET ENSURES MAXIMUM SECURITY
- CLICK ACTION MECHANISM
- KEY REMOVABLE IN LOCKED & UNLOCKED POSITIONS
- ZINC ALLOY DIE CAST

A set includes

- 1 LOCK HOUSING
- 1 CYLINDER CORE
- 2 KEYS
- 1 BEZEL
- 1 ANTI-PICK BRACKET

Dimensions



REMOVAL OF CYLINDER CORE FOR A-629

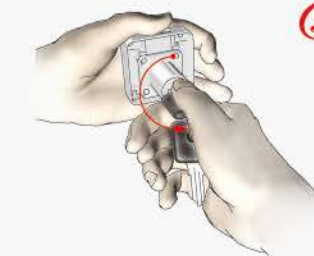


①

HOLD DOWN THE LATCH.



②



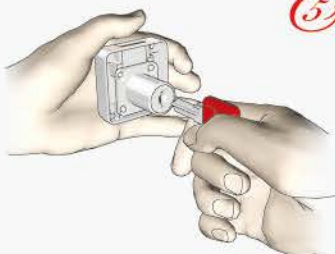
③

CONTINUE TO HOLD DOWN THE LATCH WHILE TURNING THE KEY TO THE LEFT 180 DEGREES.



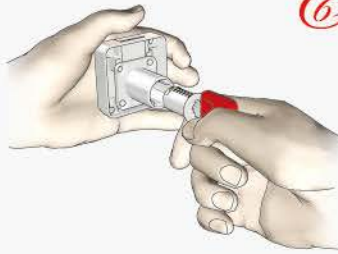
④

THE LATCH IS NOW IN "DOWN" POSITION WHILE THE KEY IS AT 180 DEGREES (TO THE LEFT).



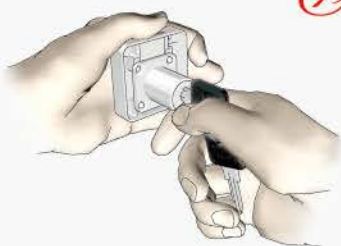
⑤

CYLINDER IS NOW READY TO BE REMOVED BY A REMOVAL KEY (RED KEY).



⑥

CYLINDER IS REMOVED.



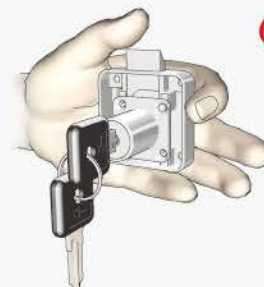
⑦

TO INSERT A CYLINDER:
HOLD DOWN THE LATCH WHILE INSERTING THE CYLINDER INTO HOUSING.



⑧

CONTINUE TO HOLD DOWN THE LATCH WHILE TURNING THE KEY 180 DEGREES TO THE RIGHT.

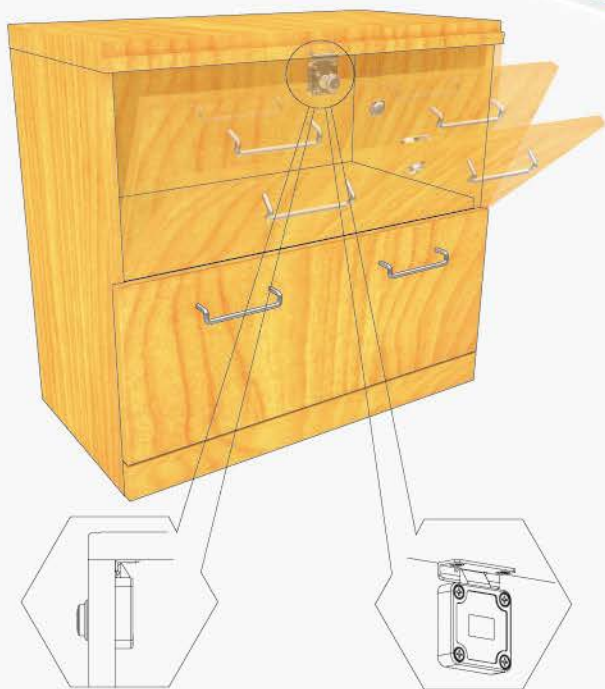


⑨

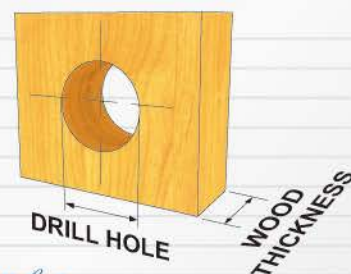
RELEASE THE LATCH AND THE LOCK IS NOW READY TO USE.

Wooden furniture lock

Finished



AUTO LOCK



Drill hole

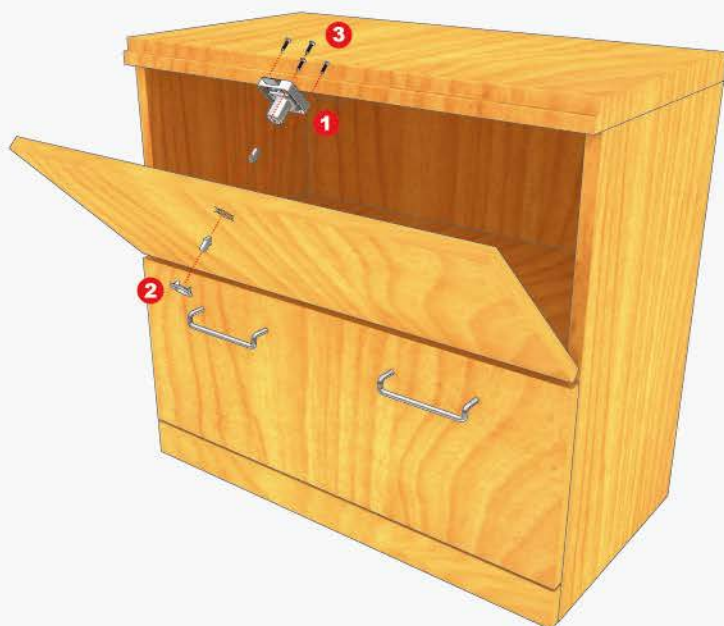
Ø17.5mm FOR 16.5mm HOUSING DIAMETER

Ø19mm FOR 18mm HOUSING DIAMETER

Wood Thickness

16-20mm - USE 22mm CYLINDER HOUSING LENGTH

Fixing Details



DK179