

Wooden furniture lock



A-736H-22
Ø16.5mm



A-736H-26
Ø16.5mm



A-736H-32
Ø16.5mm



Specifications

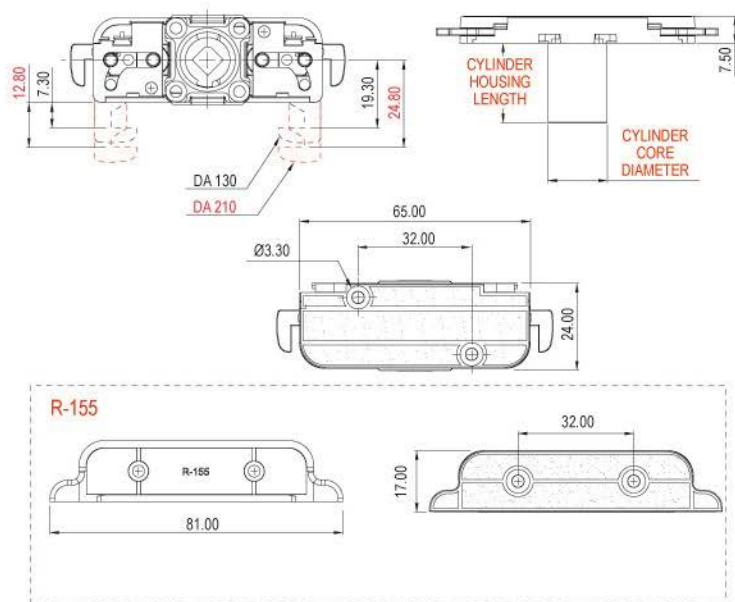
- HORIZONTAL VERSION SHUTTER ROLLER CABINET LOCK
- AVAILABLE IN TWO DIAMETERS: 16.5mm & 18mm
- CLICK ACTION MECHANISM
- KEY REMOVABLE IN LOCKED & UNLOCKED POSITIONS
- ZINC ALLOY DIE CAST

A set includes

- 1 LOCK HOUSING
- 1 CYLINDER CORE
- 2 KEYS
- 1 BEZEL
- 1 STRIKE PLATE

SHUTTER ROLLER CABINET LOCK (HORIZONTAL VERSION)

Dimensions



Wooden furniture lock



A-636V-22
Ø18mm
A-736V-22
Ø16.5mm



A-636V-26
Ø18mm
A-736V-26
Ø16.5mm



A-636V-32
Ø18mm
A-736V-32
Ø16.5mm

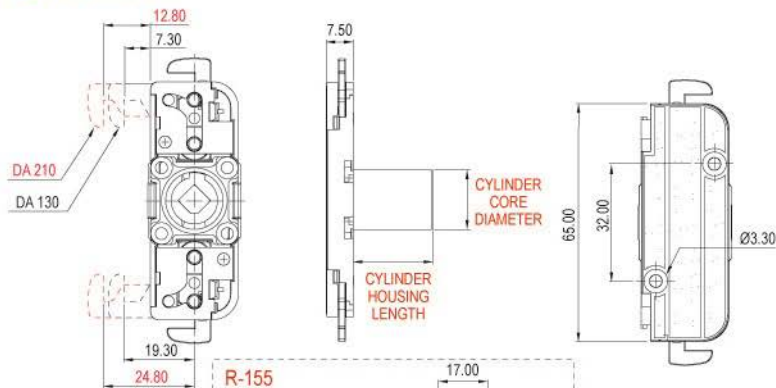
Specifications

- VERTICAL VERSION SHUTTER ROLLER CABINET LOCK
- AVAILABLE IN TWO DIAMETERS: 16.5mm & 18mm
- CLICK ACTION MECHANISM
- KEY REMOVABLE IN LOCKED & UNLOCKED POSITIONS
- ZINC ALLOY DIE CAST

A set includes

- 1 LOCK HOUSING
- 1 CYLINDER CORE
- 2 KEYS
- 1 BEZEL
- 1 STRIKE PLATE

Dimensions

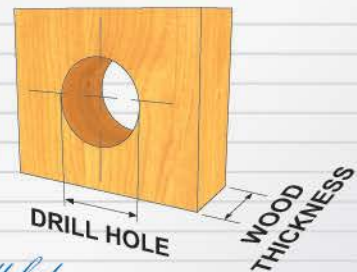


SHUTTER ROLLER CABINET LOCK (VERTICAL VERSION)

Finished



SHUTTER ROLLER CABINET LOCK



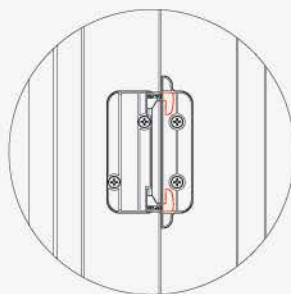
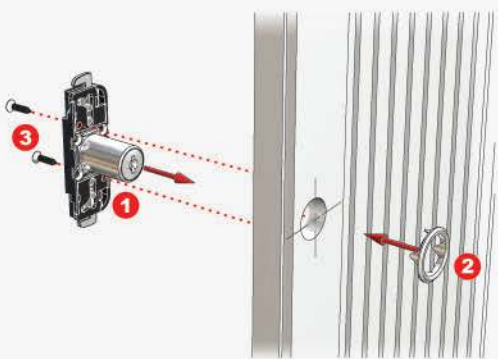
Drill hole

- Ø 17.5mm FOR 16.5mm HOUSING DIAMETER
- Ø 19mm FOR 18mm HOUSING DIAMETER

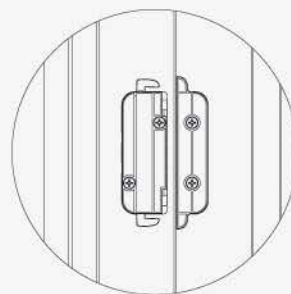
Wood Thickness

- 16-20mm - USE 22mm CYLINDER HOUSING LENGTH
- 20-24mm - USE 26mm CYLINDER HOUSING LENGTH
- 24-30mm - USE 32mm CYLINDER HOUSING LENGTH

Fixing Details



Locked



Unlocked

