

Wooden furniture lock



A-637H-22
Ø18mm

A-737H-22
Ø16.5mm



A-637H-26
Ø18mm

A-737H-26
Ø16.5mm



A-637H-32
Ø18mm

A-737H-32
Ø16.5mm



Specifications

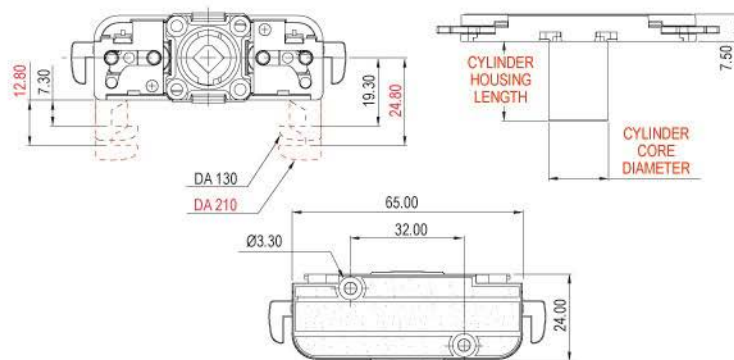
- HORIZONTAL VERSION SHUTTER ROLLER CABINET LOCK
- AVAILABLE IN TWO DIAMETERS: 16.5mm & 18mm
- CLICK ACTION MECHANISM
- KEY REMOVABLE IN LOCKED & UNLOCKED POSITIONS
- ZINC ALLOY DIE CAST

A set includes

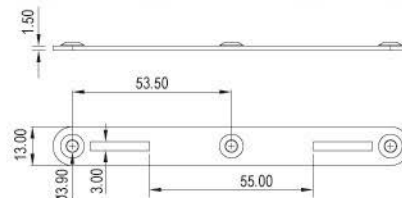
- 1 LOCK HOUSING
- 1 CYLINDER CORE
- 2 KEYS
- 1 BEZEL
- 1 STRIKE PLATE

SHUTTER ROLLER CABINET LOCK (HORIZONTAL VERSION)

Dimensions



DK-175



Wooden furniture lock



A-637V-22
Ø18mm
A-737V-22
Ø16.5mm



A-637V-26
Ø18mm
A-737V-26
Ø16.5mm



A-637V-32
Ø18mm
A-737V-32
Ø16.5mm



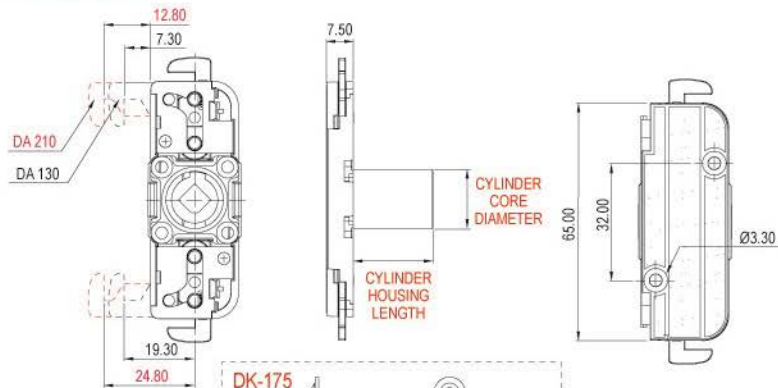
Specifications

- VERTICAL VERSION SHUTTER ROLLER CABINET LOCK
- AVAILABLE IN TWO DIAMETERS: 16.5mm & 18mm
- CLICK ACTION MECHANISM
- KEY REMOVABLE IN LOCKED & UNLOCKED POSITIONS
- ZINC ALLOY DIE CAST

A set includes

- 1 LOCK HOUSING
- 1 CYLINDER CORE
- 2 KEYS
- 1 BEZEL
- 1 STRIKE PLATE

Dimensions

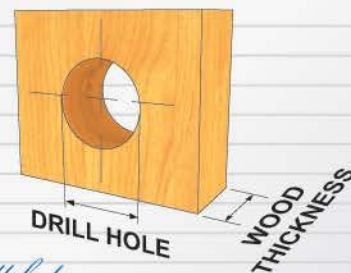


SHUTTER ROLLER CABINET LOCK (VERTICAL VERSION)

Finished



SHUTTER ROLLER CABINET LOCK



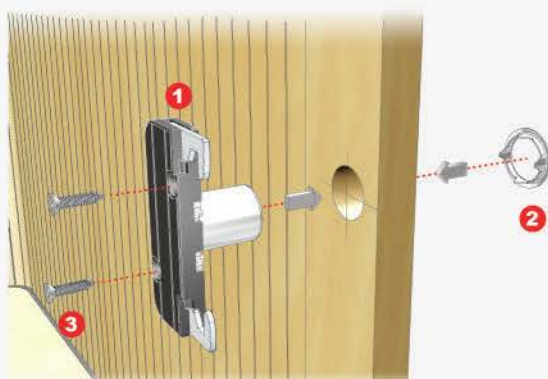
Drill hole

- Ø 17.5mm FOR 16.5mm HOUSING DIAMETER
- Ø 19mm FOR 18mm HOUSING DIAMETER

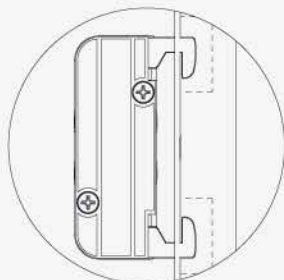
Wood Thickness

- 16-20mm - USE 22mm CYLINDER HOUSING LENGTH
- 20-24mm - USE 26mm CYLINDER HOUSING LENGTH
- 24-30mm - USE 32mm CYLINDER HOUSING LENGTH

Fixing Details



Locked



Unlocked

