

# Wooden furniture lock



**A-648S-22**  
Ø18mm

**A-748S-22**  
Ø16.5mm

**A-648S-26**  
Ø18mm

**A-748S-26**  
Ø16.5mm

**A-648S-32**  
Ø18mm

**A-748S-32**  
Ø16.5mm

**A-648S-38**  
Ø18mm

**A-748S-38**  
Ø16.5mm

**DRAWER LOCK**  
(STANDARD VERSION)

## Specifications

- STANDARD VERSION DRAWER LOCK
- AVAILABLE IN TWO DIAMETERS: 16.5mm & 18mm
- Dim. D=25mm FOR SCREW MOUNTING
- CLICK ACTION MECHANISM
- KEY REMOVABLE IN LOCKED & UNLOCKED POSITIONS
- ZINC ALLOY DIE CAST

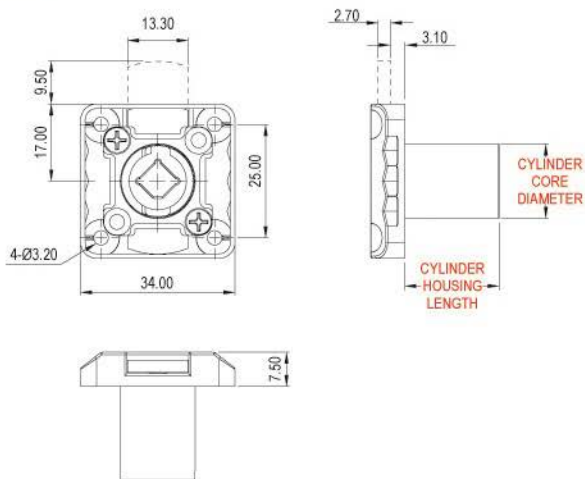
## A set includes

- 1 LOCK HOUSING
- 1 CYLINDER CORE
- 2 KEYS
- 1 BEZEL

## Accessories Options

- L-BRACKET
- STRIKE PLATE

## Dimensions



# Wooden furniture lock



**A-648L-22**  
Ø18mm

**A-748L-22**  
Ø16.5mm



**A-648L-26**  
Ø18mm

**A-748L-26**  
Ø16.5mm



**A-648L-32**  
Ø18mm

**A-748L-32**  
Ø16.5mm



**A-648L-38**  
Ø18mm

**A-748L-38**  
Ø16.5mm



## Specifications

- LEFT VERSION DRAWER LOCK
- AVAILABLE IN TWO DIAMETERS: 16.5mm & 18mm
- Dim. D=25mm FOR SCREW MOUNTING
- CLICK ACTION MECHANISM
- KEY REMOVABLE IN LOCKED & UNLOCKED POSITIONS
- ZINC ALLOY DIE CAST

## A set includes

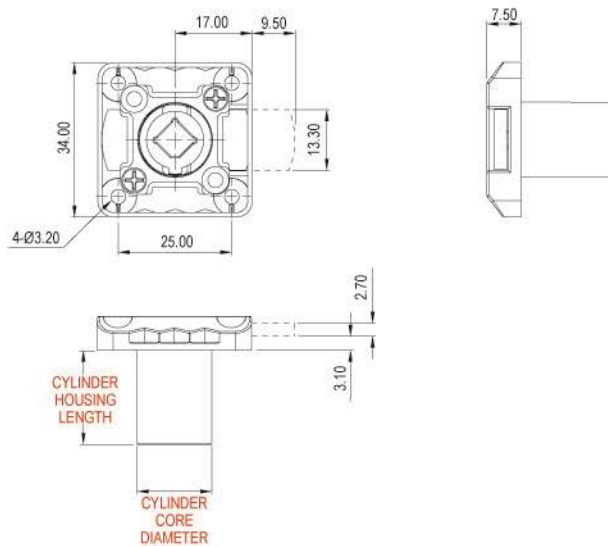
- 1 LOCK HOUSING
- 1 CYLINDER CORE
- 2 KEYS
- 1 BEZEL

## Accessories Options

- L-BRACKET
- STRIKE PLATE

**DRAWER LOCK**  
(LEFT VERSION)

## Dimensions



# Wooden furniture lock



**A-648R-22**  
Ø18mm

**A-748R-22**  
Ø16.5mm



**A-648R-26**  
Ø18mm

**A-748R-26**  
Ø16.5mm



**A-648R-32**  
Ø18mm

**A-748R-32**  
Ø16.5mm



**A-648R-38**  
Ø18mm

**A-748R-38**  
Ø16.5mm



## Specifications

- RIGHT VERSION DRAWER LOCK
- AVAILABLE IN TWO DIAMETERS: 16.5mm & 18mm
- Dim. D=25mm FOR SCREW MOUNTING
- CLICK ACTION MECHANISM
- KEY REMOVABLE IN LOCKED & UNLOCKED POSITIONS
- ZINC ALLOY DIE CAST

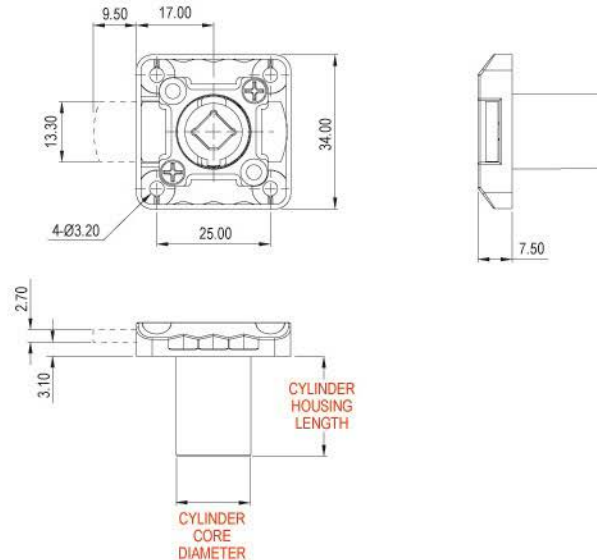
## A set includes

- 1 LOCK HOUSING
- 1 CYLINDER CORE
- 2 KEYS
- 1 BEZEL

## Accessories Options

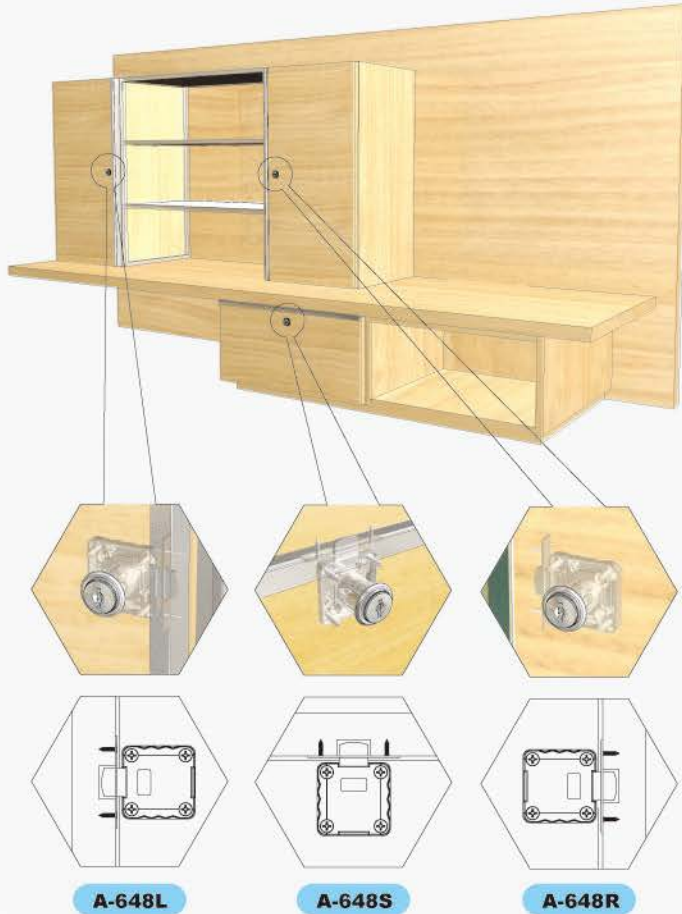
- L-BRACKET
- STRIKE PLATE

## Dimensions



**DRAWER LOCK**  
(RIGHT VERSION)

*Finished*

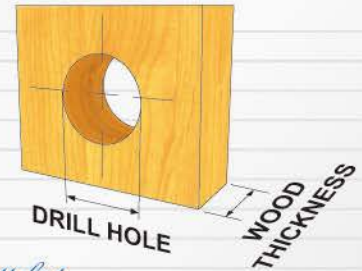


**A-648L**

**A-648S**

**A-648R**

## DRAWER LOCK



### *Drill hole*

Ø17.5mm FOR 16.5mm HOUSING DIAMETER

Ø19mm FOR 18mm HOUSING DIAMETER

### *Wood Thickness*

16-20mm - USE 22mm CYLINDER HOUSING LENGTH

20-24mm - USE 26mm CYLINDER HOUSING LENGTH

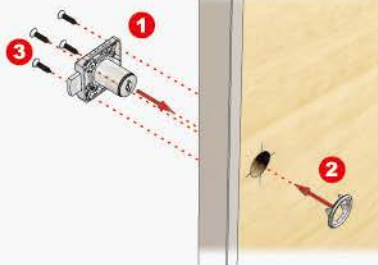
24-30mm - USE 32mm CYLINDER HOUSING LENGTH

30-36mm - USE 38mm CYLINDER HOUSING LENGTH

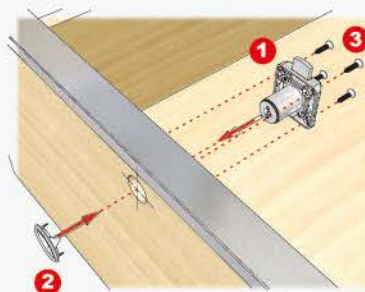


### *Fixing Details*

**A-648R**



**A-648S**



**A-648L**

