

Wooden furniture lock



A-649S-22
Ø18mm
A-749S-22
Ø16.5mm

A-649S-26
Ø18mm
A-749S-26
Ø16.5mm

A-649S-32
Ø18mm
A-749S-32
Ø16.5mm

A-649S-38
Ø18mm
A-749S-38
Ø16.5mm

DRAWER LOCK
(STANDARD VERSION)

Specifications

- STANDARD VERSION DRAWER LOCK
- AVAILABLE IN TWO DIAMETERS: 16.5mm & 18mm
- Dim. D=25mm FOR SCREW MOUNTING
- CLICK ACTION MECHANISM
- KEY REMOVABLE IN LOCKED & UNLOCKED POSITIONS
- ZINC ALLOY DIE CAST

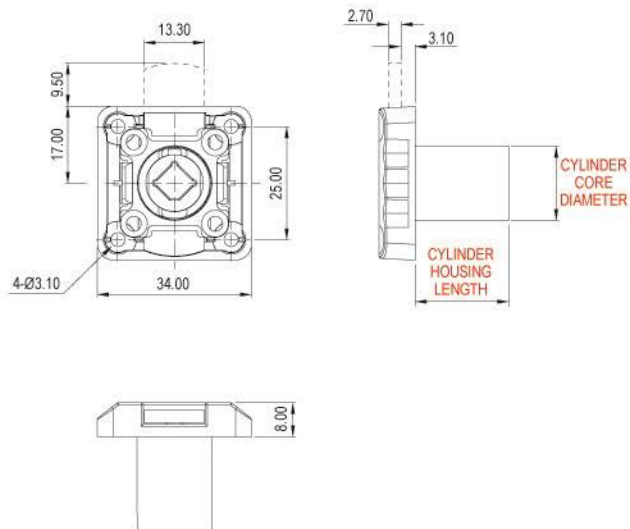
A set includes

- 1 LOCK HOUSING
- 1 CYLINDER CORE
- 2 KEYS
- 1 BEZEL

Accessories Options

- L-BRACKET
- STRIKE PLATE

Dimensions



Wooden furniture lock



A-649L-22
Ø18mm
A-749L-22
Ø16.5mm



A-649L-26
Ø18mm
A-749L-26
Ø16.5mm



A-649L-32
Ø18mm
A-749L-32
Ø16.5mm



A-649L-38
Ø18mm
A-749L-38
Ø16.5mm

DRAWER LOCK
(LEFT VERSION)

Specifications

- LEFT VERSION DRAWER LOCK
- AVAILABLE IN TWO DIAMETERS: 16.5mm & 18mm
- Dim. D=25mm FOR SCREW MOUNTING
- CLICK ACTION MECHANISM
- KEY REMOVABLE IN LOCKED & UNLOCKED POSITIONS
- ZINC ALLOY DIE CAST

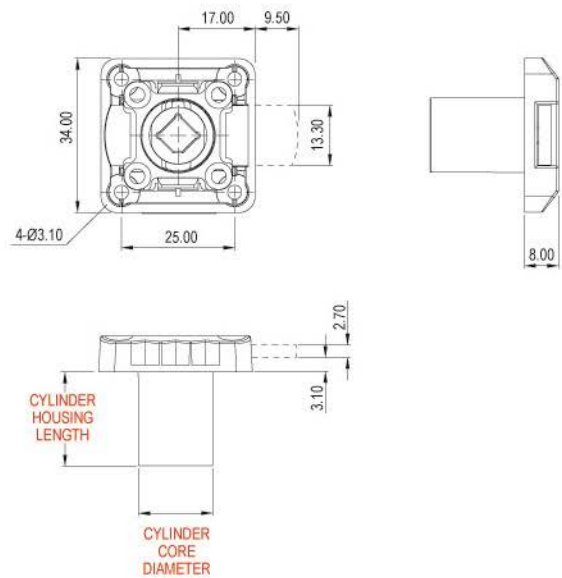
A set includes

- 1 LOCK HOUSING
- 1 CYLINDER CORE
- 2 KEYS
- 1 BEZEL

Accessories Options

- L-BRACKET
- STRIKE PLATE

Dimensions



Wooden furniture lock



A-649R-22
Ø18mm
A-749R-22
Ø16.5mm



A-649R-26
Ø18mm
A-749R-26
Ø16.5mm



A-649R-32
Ø18mm
A-749R-32
Ø16.5mm



A-649R-38
Ø18mm
A-749R-38
Ø16.5mm

DRAWER LOCK
(RIGHT VERSION)

Specifications

- RIGHT VERSION DRAWER LOCK
- AVAILABLE IN TWO DIAMETERS: 16.5mm & 18mm
- Dim. D=25mm FOR SCREW MOUNTING
- CLICK ACTION MECHANISM
- KEY REMOVABLE IN LOCKED & UNLOCKED POSITIONS
- ZINC ALLOY DIE CAST

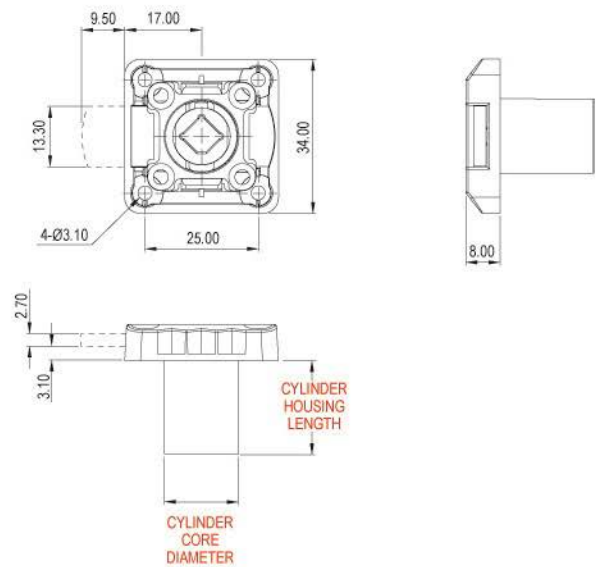
A set includes

- 1 LOCK HOUSING
- 1 CYLINDER CORE
- 2 KEYS
- 1 BEZEL

Accessories Options

- L-BRACKET
- STRIKE PLATE

Dimensions



Finished

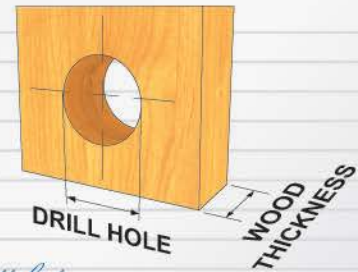


A-649L

A-649S

A-649R

DRAWER LOCK

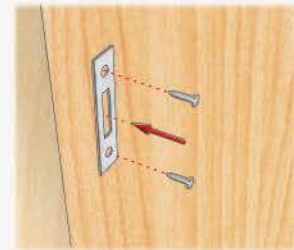


Drill hole

- Ø17.5mm FOR 16.5mm HOUSING DIAMETER
- Ø19mm FOR 18mm HOUSING DIAMETER

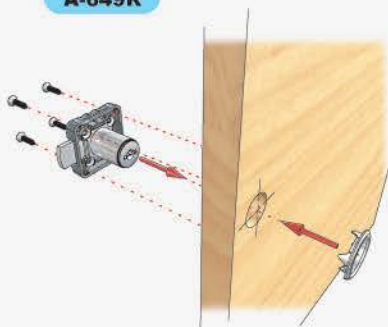
Wood Thickness

- 16-20mm - USE 22mm CYLINDER HOUSING LENGTH
- 20-24mm - USE 26mm CYLINDER HOUSING LENGTH
- 24-30mm - USE 32mm CYLINDER HOUSING LENGTH
- 30-36mm - USE 38mm CYLINDER HOUSING LENGTH

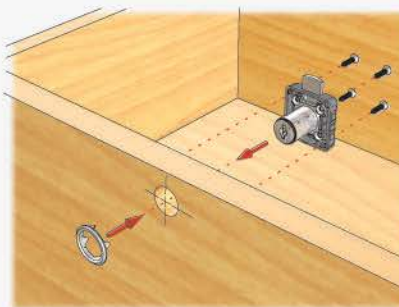


Fixing Details

A-649R



A-649S



A-649L

