

Wooden furniture lock



A-652S-22
 Ø18mm
A-752S-22
 Ø16.5mm



A-652S-26
 Ø18mm
A-752S-26
 Ø16.5mm



A-652S-32
 Ø18mm
A-752S-32
 Ø16.5mm



A-652S-38
 Ø18mm
A-752S-38
 Ø16.5mm



CUPBOARD LOCK (STANDARD VERSION)

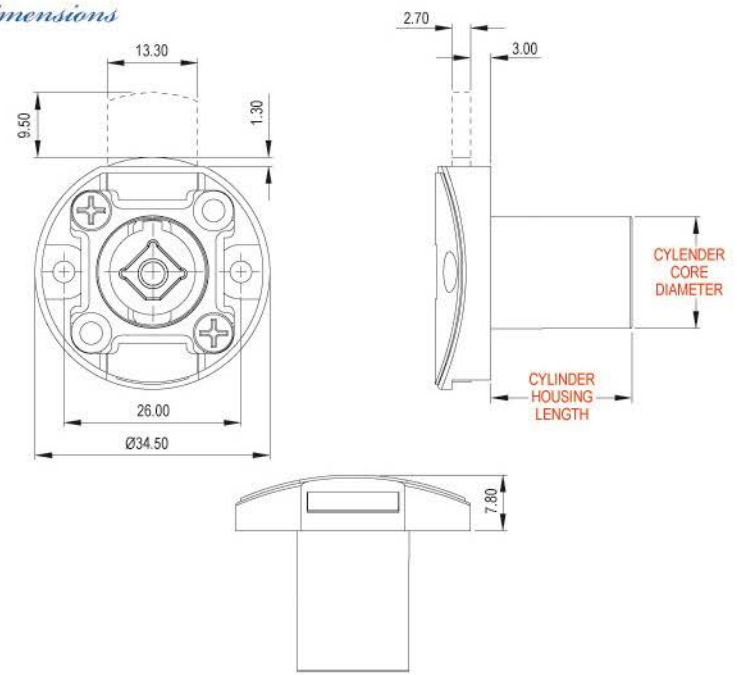
Specifications

- STANDARD VERSION CUPBOARD LOCK
- AVAILABLE IN TWO DIAMETERS: 16.5mm & 18mm
- CLICK ACTION MECHANISM
- KEY REMOVABLE IN LOCKED & UNLOCKED POSITIONS
- ZINC ALLOY DIE CAST

A set includes

- 1 LOCK HOUSING
- 1 CYLINDER CORE
- 2 KEYS
- 1 BEZEL

Dimensions



Wooden furniture lock



A-652L-22
Ø18mm
A-752L-22
Ø16.5mm



A-652L-26
Ø18mm
A-752L-26
Ø16.5mm



A-652L-32
Ø18mm
A-752L-32
Ø16.5mm



A-652L-38
Ø18mm
A-752L-38
Ø16.5mm



Specifications

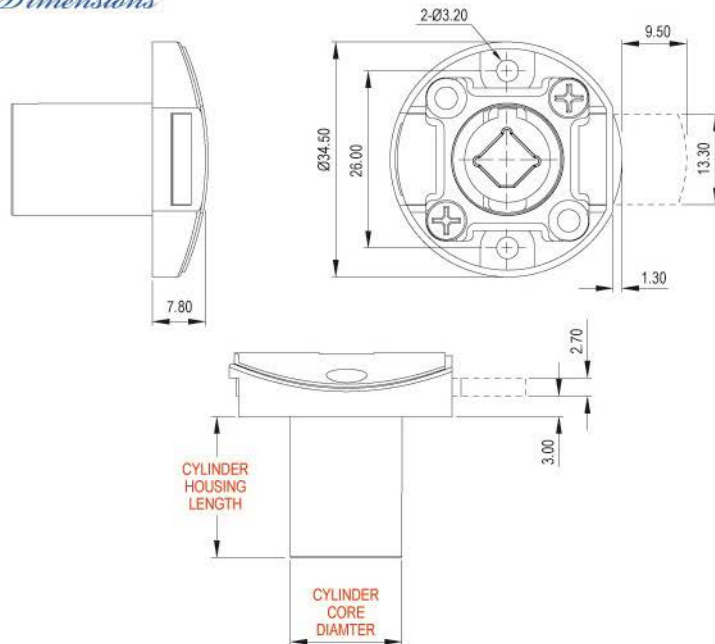
- LEFT VERSION CUPBOARD LOCK
- AVAILABLE IN TWO DIAMETERS: 16.5mm & 18mm
- CLICK ACTION MECHANISM
- KEY REMOVABLE IN LOCKED & UNLOCKED POSITIONS
- ZINC ALLOY DIE CAST

A set includes

- 1 LOCK HOUSING
- 1 CYLINDER CORE
- 2 KEYS
- 1 BEZEL

CUPBOARD LOCK (LEFT VERSION)

Dimensions



Wooden furniture lock



A-652R-22
Ø18mm
A-752R-22
Ø16.5mm



A-652R-26
Ø18mm
A-752R-26
Ø16.5mm



A-652R-32
Ø18mm
A-752R-32
Ø16.5mm



A-652R-38
Ø18mm
A-752R-38
Ø16.5mm



Specifications

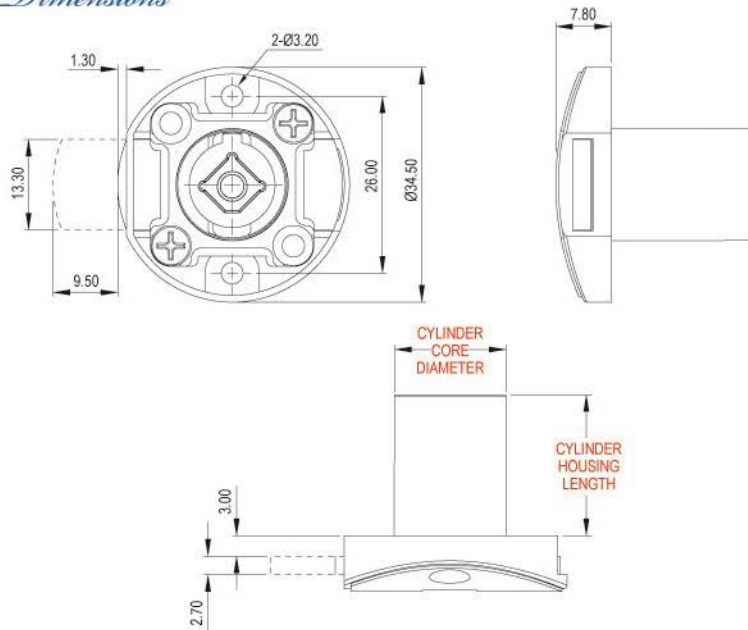
- RIGHT VERSION CUPBOARD LOCK
- AVAILABLE IN TWO DIAMETERS: 16.5mm & 18mm
- CLICK ACTION MECHANISM
- KEY REMOVABLE IN LOCKED & UNLOCKED POSITIONS
- ZINC ALLOY DIE CAST

A set includes

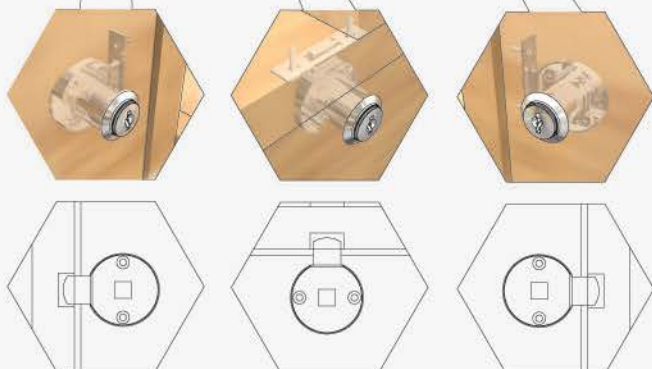
- 1 LOCK HOUSING
- 1 CYLINDER CORE
- 2 KEYS
- 1 BEZEL

CUPBOARD LOCK (RIGHT VERSION)

Dimensions



Finished

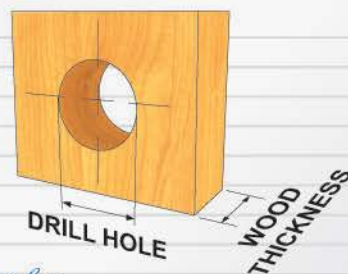


A-652L

A-652S

A-652R

CUPBOARD LOCK



Drill hole

- Ø17.5mm FOR 16.5mm HOUSING DIAMETER
- Ø19mm FOR 18mm HOUSING DIAMETER

Wood Thickness

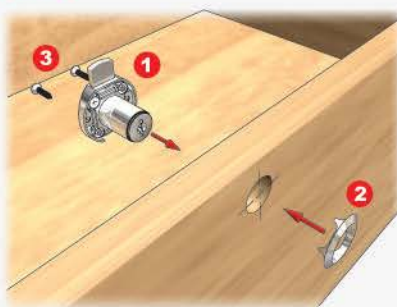
- 16-20mm - USE 22mm CYLINDER HOUSING LENGTH
- 20-24mm - USE 26mm CYLINDER HOUSING LENGTH
- 24-30mm - USE 32mm CYLINDER HOUSING LENGTH
- 30-36mm - USE 38mm CYLINDER HOUSING LENGTH

Fixing Details

A-652L



A-652S



A-652R



2