

Wooden furniture lock



A-662H-22-TYPE A
Ø18mm

A-762H-22-TYPE A
Ø16.5mm

A-662V-22-TYPE A
Ø18mm

A-762V-22-TYPE A
Ø16.5mm



A-662H-32-TYPE A
Ø18mm

A-662V-32-TYPE A
Ø18mm



A-662H-38-TYPE A
Ø18mm

A-662V-38-TYPE A
Ø18mm



A-662H-26-TYPE A
Ø18mm

A-662V-26-TYPE A
Ø18mm

PUSH BAR LOCK



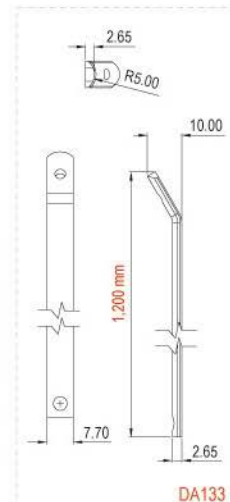
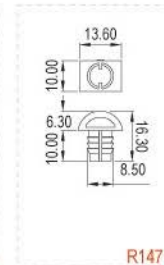
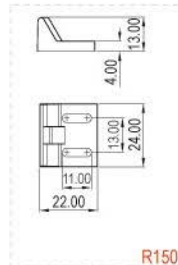
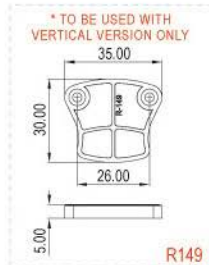
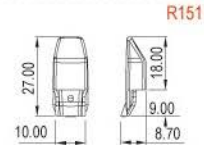
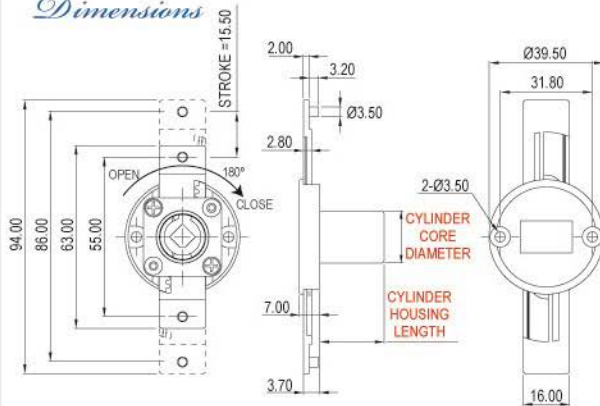
Specifications

- PUSH BAR LOCK
- AVAILABLE IN TWO VERSIONS :
HORIZONTAL & VERTICAL
- CLICK ACTION MECHANISM
- KEY REMOVABLE IN LOCKED &
UNLOCKED POSITIONS
- ZINC ALLOY DIE CAST

A set includes

- 1 LOCK HOUSING
- 1 CYLINDER CORE
- 2 KEYS
- 1 BEZEL

Dimensions



Wooden furniture lock



A-662H-22-TYPE B
Ø18mm

A-762H-22-TYPE B
Ø16.5mm

A-662V-22-TYPE B
Ø18mm

A-762V-22-TYPE B
Ø16.5mm



A-662H-32-TYPE B
Ø18mm

A-662V-32-TYPE B
Ø18mm



A-662H-38-TYPE B
Ø18mm

A-662V-38-TYPE B
Ø18mm



A-662H-26-TYPE B
Ø18mm

A-662V-26-TYPE B
Ø18mm

PUSH BAR LOCK



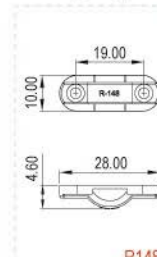
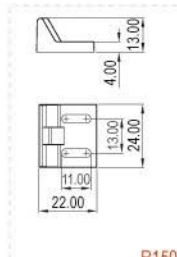
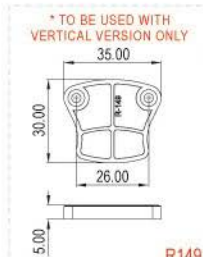
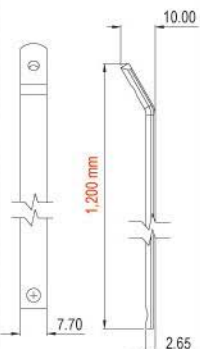
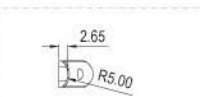
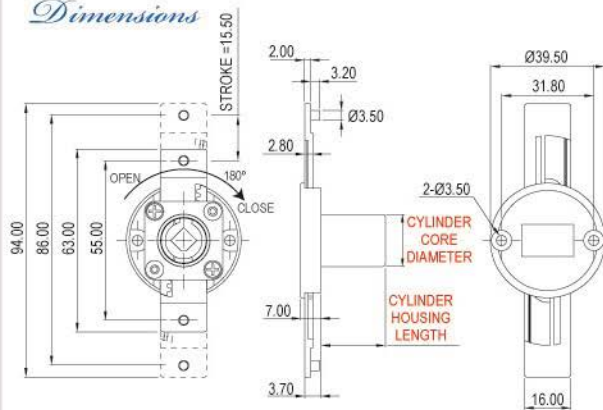
Specifications

- PUSH BAR LOCK
- AVAILABLE IN TWO VERSIONS :
HORIZONTAL & VERTICAL
- CLICK ACTION MECHANISM
- KEY REMOVABLE IN LOCKED &
UNLOCKED POSITIONS
- ZINC ALLOY DIE CAST

A set includes

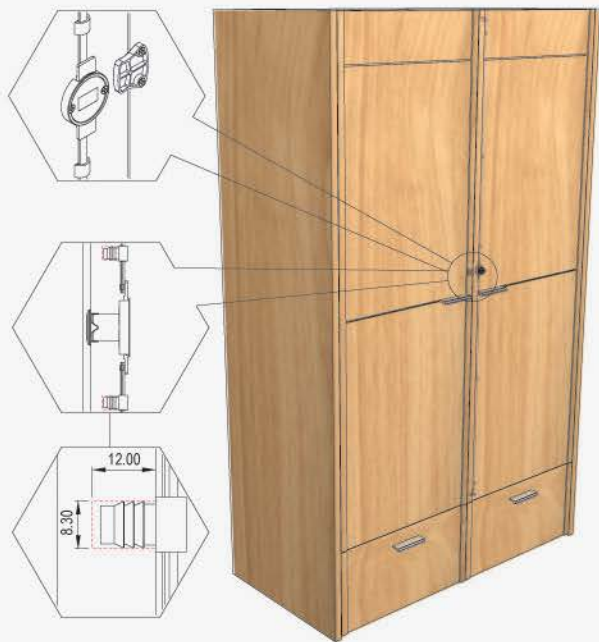
- 1 LOCK HOUSING
- 1 CYLINDER CORE
- 2 KEYS
- 1 BEZEL

Dimensions

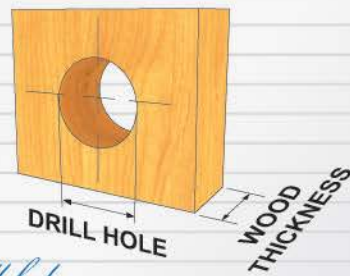


Wooden furniture lock

Finished



PUSH BAR LOCK



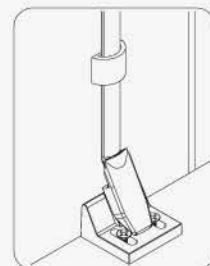
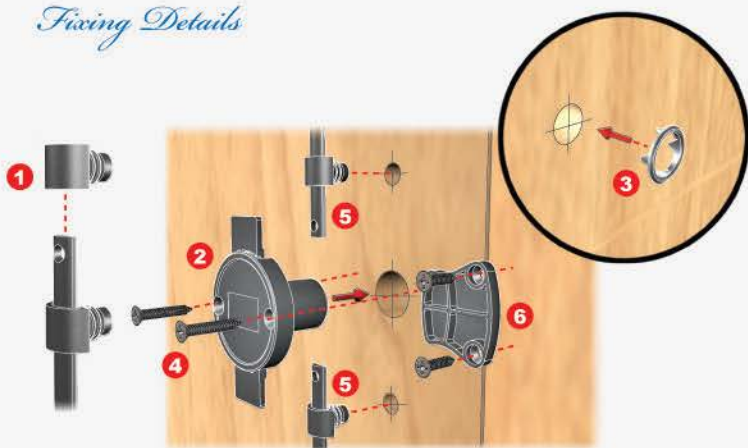
Drill hole

- Ø17.5mm FOR 16.5mm HOUSING DIAMETER
- Ø19mm FOR 18mm HOUSING DIAMETER

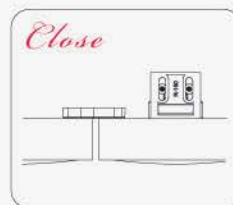
Wood Thickness

- 16-20mm - USE 22mm CYLINDER HOUSING LENGTH
- 20-24mm - USE 26mm CYLINDER HOUSING LENGTH
- 24-30mm - USE 32mm CYLINDER HOUSING LENGTH
- 30-36mm - USE 38mm CYLINDER HOUSING LENGTH

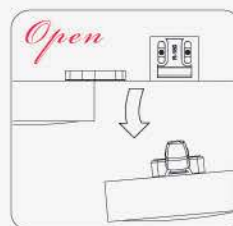
Fixing Details



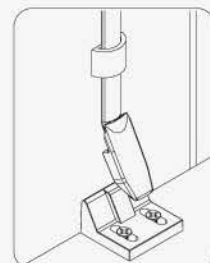
Locked



Close



Open



Unlocked