

# Wooden furniture lock

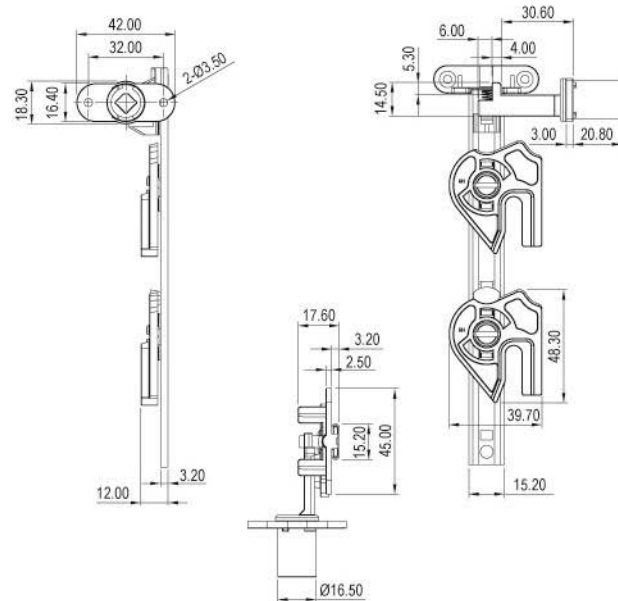


**A-703H-22-G197+(ANTI-TILT)**  
Ø16.5mm



**ANTI-TILT LOCK**

## Dimensions



## Specifications

- HORIZONTAL VERSION SINGLE SIDE ANTI-TILT LOCK
- CLICK ACTION MECHANISM
- KEY REMOVABLE IN LOCKED & UNLOCKED POSITIONS
- ZINC ALLOY DIE CAST

## A set includes

- 1 LOCK HOUSING
- 1 CYLINDER CORE
- 2 KEYS
- 1 BEZEL
- 1 BAR
- 1 SET OF ACCESSORIES

# Wooden furniture lock



## Specifications

- VERTICAL VERSION SINGLE SIDE ANTI-TILT LOCK
- CLICK ACTION MECHANISM
- KEY REMOVABLE IN LOCKED & UNLOCKED POSITIONS
- ZINC ALLOY DIE CAST

## A set includes

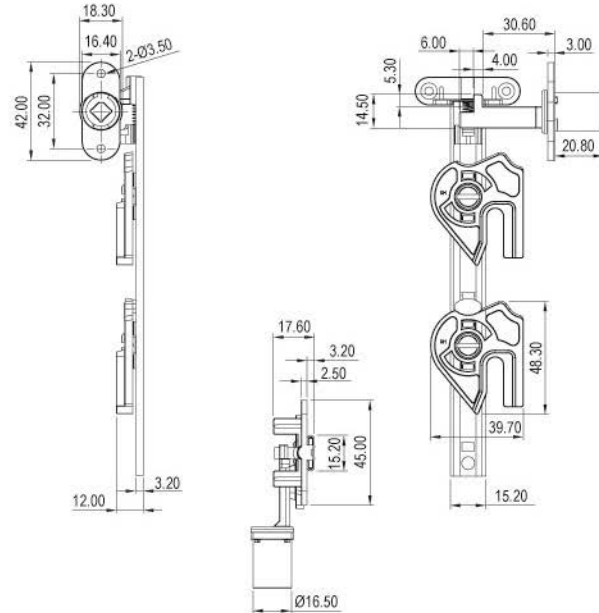
- 1 LOCK HOUSING
- 1 CYLINDER CORE
- 2 KEYS
- 1 BEZEL
- 1 BAR
- 1 SET OF ACCESSORIES



**A-703V-22-G197+(ANTI-TILT)**  
Ø16.5mm

**ANTI-TILT LOCK**

## Dimensions



# Wooden furniture lock



**A-703A-22-G197+(ANTI-TILT)**  
Ø16.5mm

**ANTI-TILT LOCK**

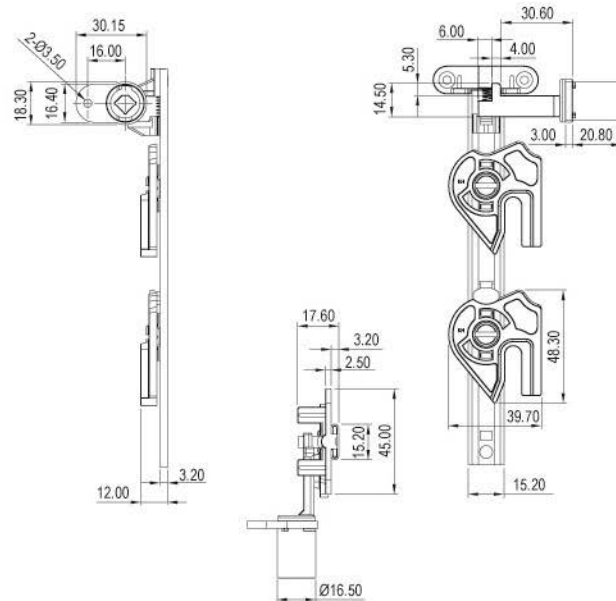
## Specifications

- HORIZONTAL SINGLE FLANGE VERSION, SINGLE SIDE ANTI-TILT LOCK
- CLICK ACTION MECHANISM
- KEY REMOVABLE IN LOCKED & UNLOCKED POSITIONS
- ZINC ALLOY DIE CAST

## A set includes

- 1 LOCK HOUSING
- 1 BAR
- 1 CYLINDER CORE
- 1 SET OF ACCESSORIES
- 2 KEYS
- 1 BEZEL

## Dimensions



# Wooden furniture lock



**A-703C-22-G197+(ANTI-TILT)**  
Ø16.5mm

**ANTI-TILT LOCK**

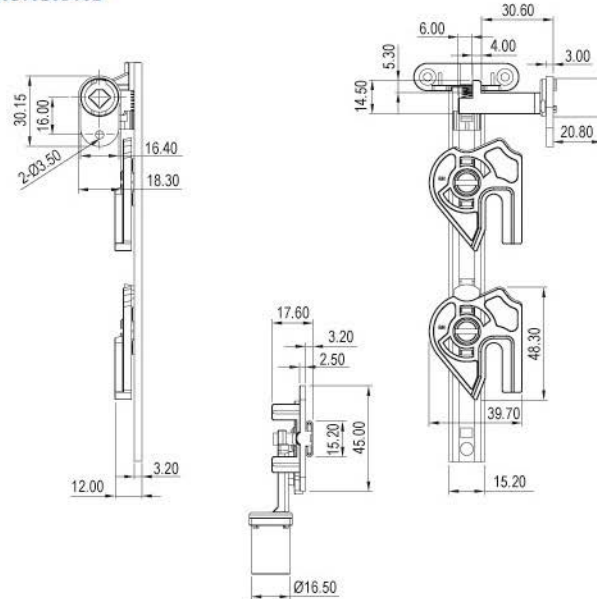
## Specifications

- VERTICAL SINGLE FLANGE VERSION, SINGLE SIDE ANTI-TILT LOCK
- CLICK ACTION MECHANISM
- KEY REMOVABLE IN LOCKED & UNLOCKED POSITIONS
- ZINC ALLOY DIE CAST

## A set includes

- 1 LOCK HOUSING
- 1 BAR
- 1 CYLINDER CORE
- 1 SET OF ACCESSORIES
- 2 KEYS
- 1 BEZEL

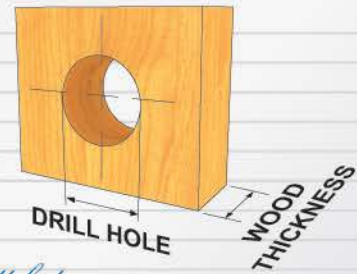
## Dimensions



## Finished



## ANTI-TILT SYSTEM



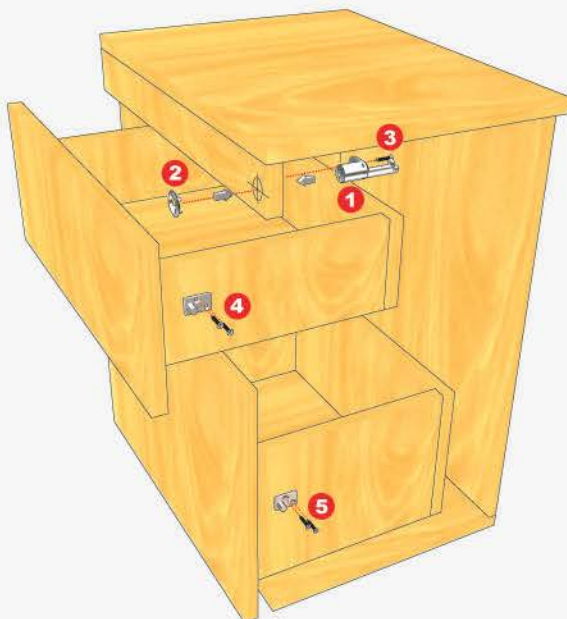
### Drill hole

Ø17.5mm FOR 16.5mm HOUSING DIAMETER

### Wood Thickness

16-20mm - USE 22mm CYLINDER HOUSING LENGTH

## Fixing Details

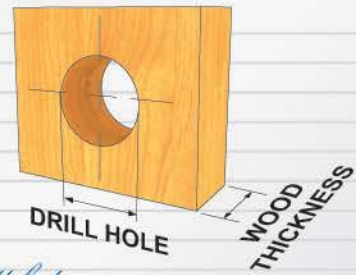


# Wooden furniture lock

*Finished*



## ANTI-TILT SYSTEM



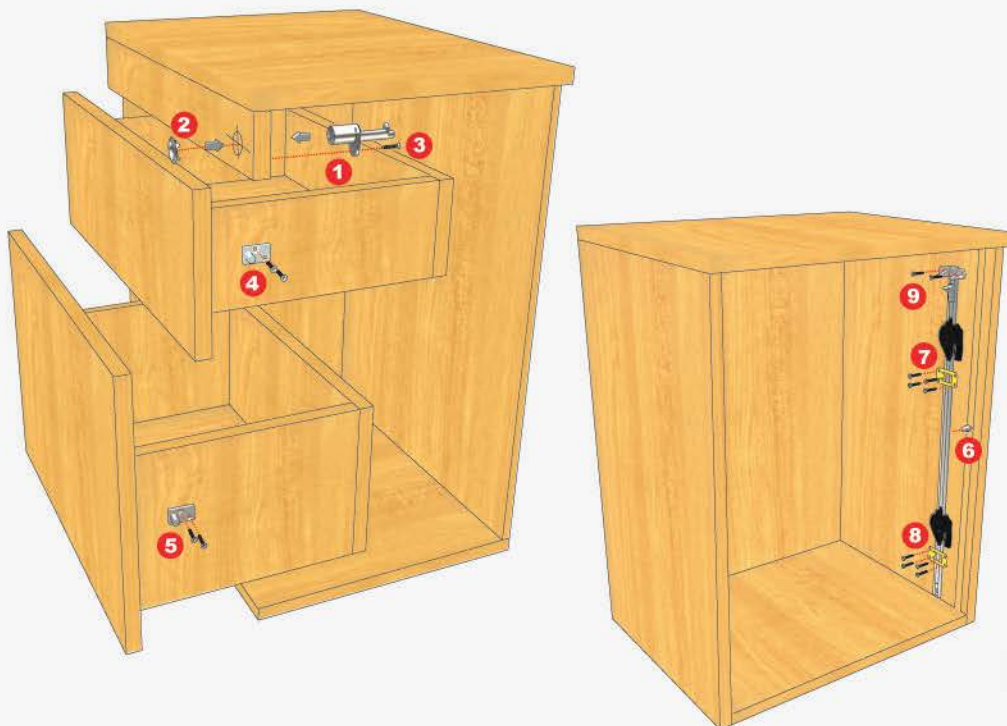
*Drill hole*

Ø17.5mm FOR 16.5mm HOUSING DIAMETER

*Wood Thickness*

16-20mm - USE 22mm CYLINDER HOUSING LENGTH

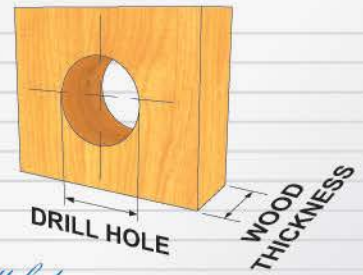
*Fixing Details*



## Finished



## ANTI-TILT SYSTEM



### Drill hole

Ø17.5mm FOR 16.5mm HOUSING DIAMETER

### Wood Thickness

16-20mm - USE 22mm CYLINDER HOUSING LENGTH

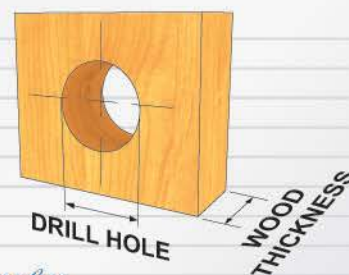
## Fixing Details



## Finished



## ANTI-TILT SYSTEM



### Drill hole

Ø17.5mm FOR 16.5mm HOUSING DIAMETER

### Wood Thickness

16-20mm - USE 22mm CYLINDER HOUSING LENGTH

## Fixing Details

