

# Wooden furniture lock



**DRAWER LOCK**  
(HORIZONTAL VERSION)

## Specifications

- HORIZONTAL VERSION DRAWER LOCK
- AVAILABLE IN ONE DIAMETER : 16.5mm
- CLICK ACTION MECHANISM
- KEY REMOVABLE IN LOCKED & UNLOCKED POSITIONS
- ZINC ALLOY DIE CAST

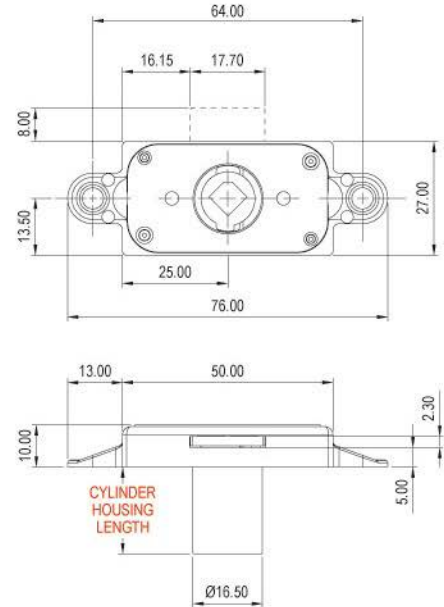
## A set includes

- 1 LOCK HOUSING
- 1 CYLINDER CORE
- 2 KEYS
- 1 BEZEL

## Accessories Options

- L-BRACKET
- STRIKE PLATE

## Dimensions



# Wooden furniture lock



**A-731V-22**  
Ø16.5mm



**A-731V-26**  
Ø16.5mm



**A-731V-30**  
Ø16.5mm



**A-731V-35**  
Ø16.5mm



**A-731V-40**  
Ø16.5mm



## Specifications

- VERTICAL VERSION DRAWER LOCK
- AVAILABLE IN ONE DIAMETER : 16.5mm
- CLICK ACTION MECHANISM
- KEY REMOVABLE IN LOCKED & UNLOCKED POSITIONS
- ZINC ALLOY DIE CAST

## A set includes

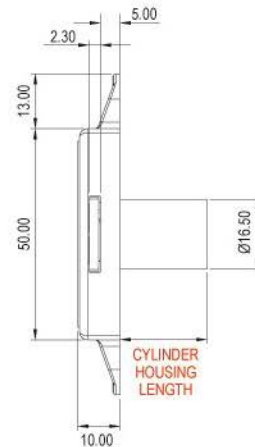
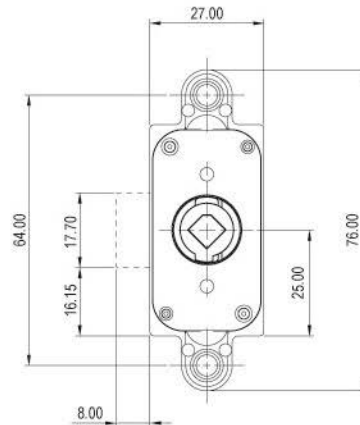
- 1 LOCK HOUSING
- 1 CYLINDER CORE
- 2 KEYS
- 1 BEZEL

## Accessories Options

- L-BRACKET
- STRIKE PLATE

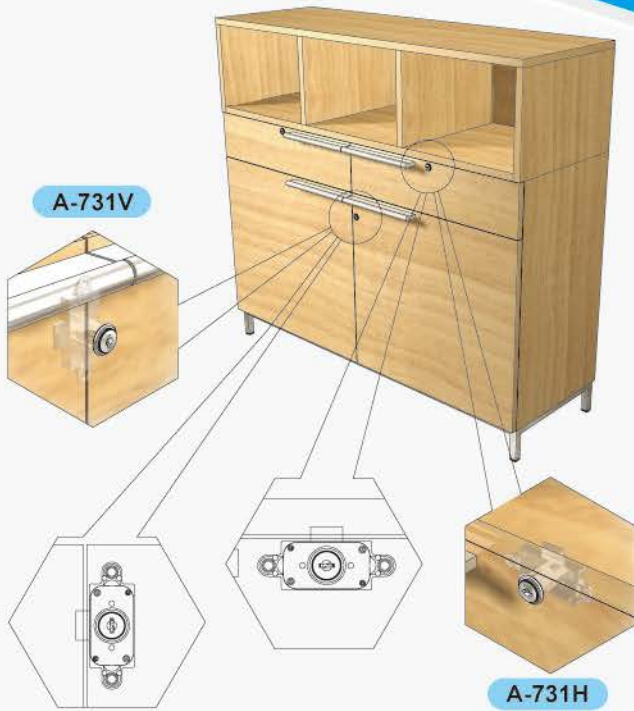
**DRAWER LOCK**  
(VERTICAL VERSION)

## Dimensions

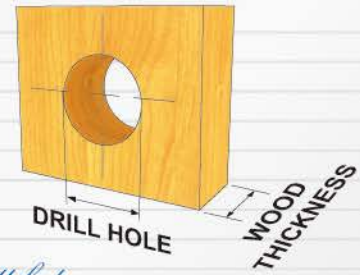


# Wooden furniture lock

*Finished*



## DRAWER LOCK



### *Drill hole*

Ø17.5mm FOR 16.5mm HOUSING DIAMETER

### *Wood Thickness*

- 16-20mm - USE 22mm CYLINDER HOUSING LENGTH
- 20-24mm - USE 26mm CYLINDER HOUSING LENGTH
- 24-28mm - USE 30mm CYLINDER HOUSING LENGTH
- 28-33mm - USE 35mm CYLINDER HOUSING LENGTH
- 33-38mm - USE 40mm CYLINDER HOUSING LENGTH

### *Fixing Details*

