

Wooden furniture lock



A-759H-22
Ø16.5mm
A-759V-22
Ø16.5mm



A-759H-30
Ø16.5mm
A-759V-30
Ø16.5mm



A-759H-35
Ø16.5mm
A-759V-35
Ø16.5mm



A-759H-40
Ø16.5mm
A-759V-40
Ø16.5mm



Specifications

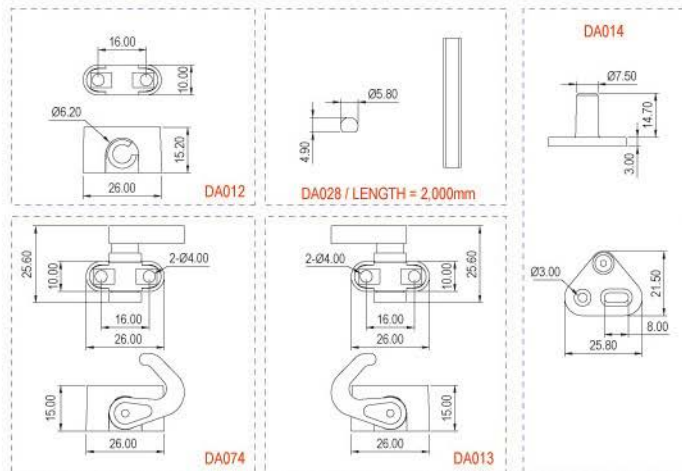
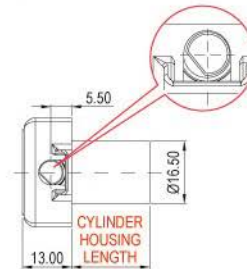
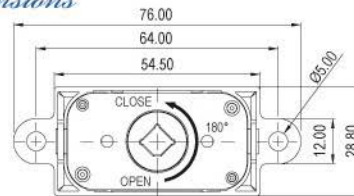
- ESPAGNOLETTE LOCK
- AVAILABLE IN TWO VERSIONS :
HORIZONTAL & VERTICAL
- FOR 6mm DIAMETER PROFILE ROD
- DIM. D = 15mm FOR SCREW MOUNTING
- ZINC ALLOY DIE CAST

A set includes

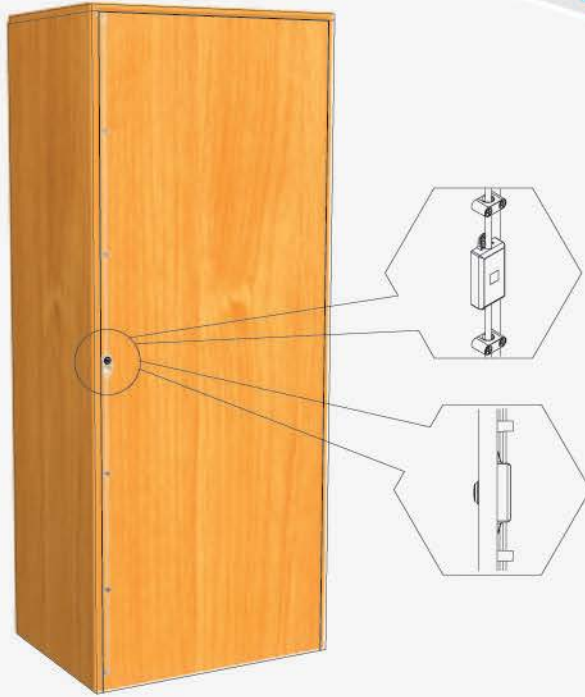
- 1 LOCK HOUSING
- 1 CYLINDER CORE
- 2 KEYS
- 1 BEZEL

ESPAÑOLETTE LOCK

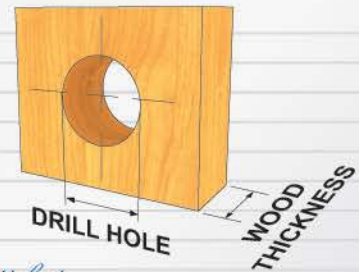
Dimensions



Finished



ESPAÑOLETE LOCK



Drill hole

Ø17.5mm FOR 16.5mm HOUSING DIAMETER

Wood Thickness

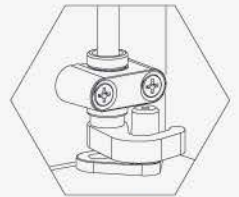
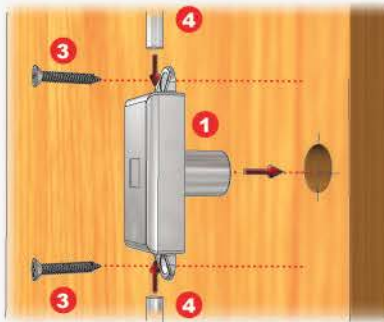
16-20mm - USE 22mm CYLINDER HOUSING LENGTH

20-28mm - USE 30mm CYLINDER HOUSING LENGTH

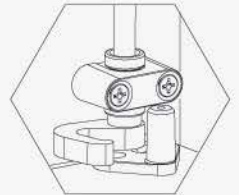
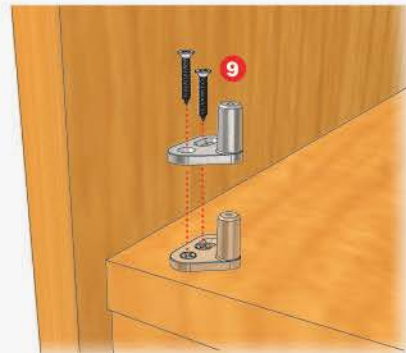
28-33mm - USE 35mm CYLINDER HOUSING LENGTH

38-48mm - USE 40mm CYLINDER HOUSING LENGTH

Fixing Details



Locked



Unlocked