

Wooden furniture lock



Specifications

- CAM LOCK
- 90° AND 180° ROTARY CAM MOVEMENT, CONVERTIBLE
- AVAILABLE ONLY FOR CC AND CD KEYWAY
- 11mm, 16mm CYLINDER HOUSING LENGTH AVAILABLE
- KEY REMOVABLE IN LOCKED & UNLOCKED POSITIONS
- ZINC ALLOY DIE CAST

A set includes

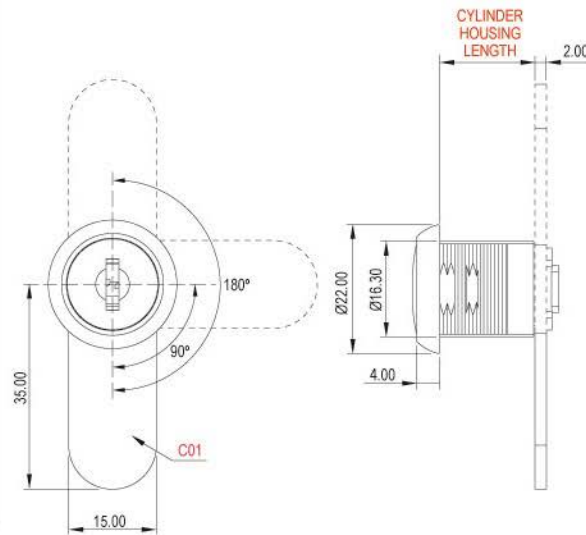
- 1 LOCK HOUSING
- 1 CYLINDER CORE
- 2 KEYS
- 1 WASHER
- 1 HEXAGONAL NUT

B-607X-11

B-607X-16

CAM LOCK

Dimensions



E-RING

B-607X-11
B-607X-16

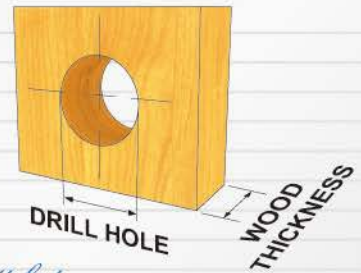
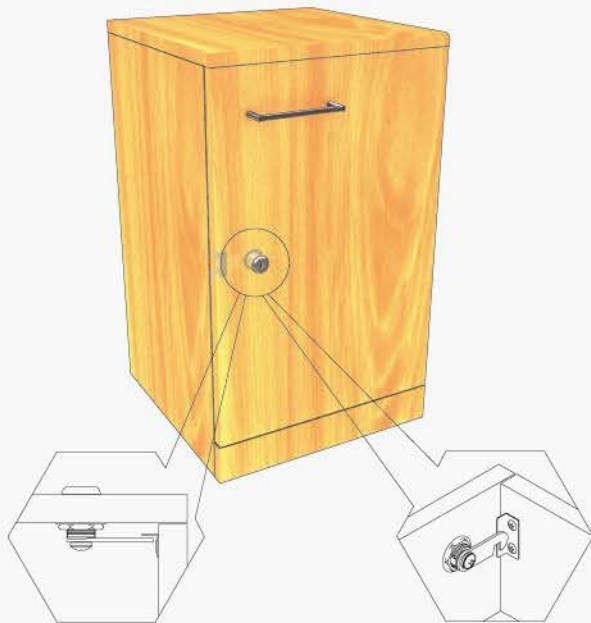
AVAILABLE FOR CC & CD KEYWAY

RIVET

B-607X-11

AVAILABLE FOR CB KEYWAY

Finished



Drill hole

Ø17.5mm FOR 16.5mm HOUSING DIAMETER
Ø19mm FOR 18mm HOUSING DIAMETER

Wood Thickness

6.5-9.0 mm - USE 20 mm CYLINDER HOUSING LENGTH
8.5-19.0mm - USE 25 mm CYLINDER HOUSING LENGTH
19.0-23.0mm - USE 30 mm CYLINDER HOUSING LENGTH
23.0-28.5mm - USE 36.5mm CYLINDER HOUSING LENGTH
28.5-36.5mm - USE 44.5mm CYLINDER HOUSING LENGTH

Fixing Details

